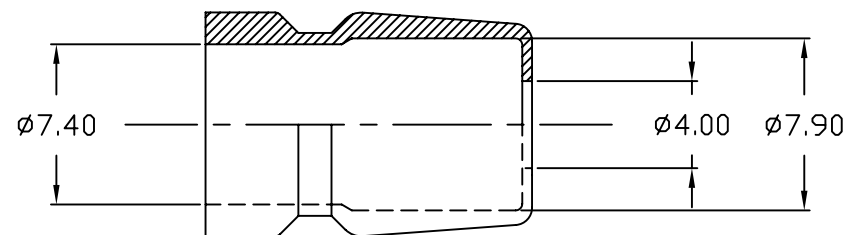
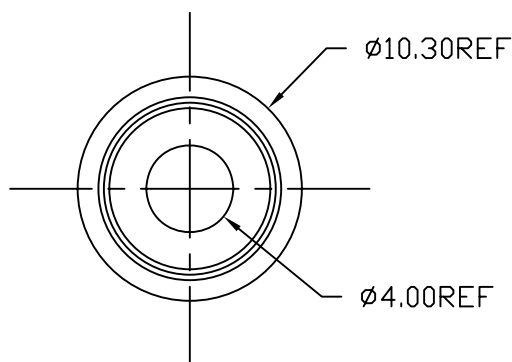
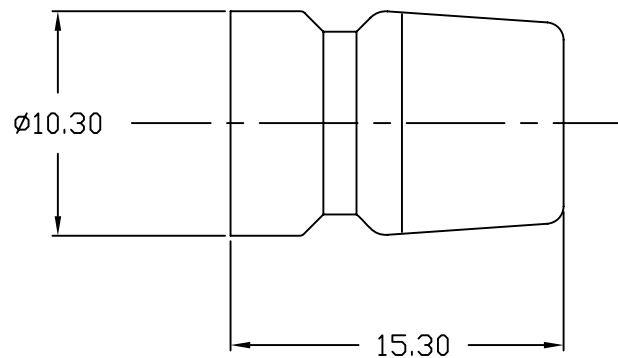




COLOUR	CATALOGUE P/N
BLACK	AC-GROMMET-BLK
BROWN	AC-GROMMET-BRN
RED	AC-GROMMET-RED
ORANGE	AC-GROMMET-ORG
YELLOW	AC-GROMMET-YEL
GREEN	AC-GROMMET-GRN
BLUE	AC-GROMMET-BLU
VIOLET	AC-GROMMET-VIO
GREY	AC-GROMMET-GRY
WHITE	AC-GROMMET-WHT



NOTES:

1. MATERIAL: THERMOPLASTIC ELASTOMER HARDNESS 80-87
2. APPROVE ASSEMBLY AID LUBRICANT IS LUSIN ALRD 0 153S

UNLESS OTHERWISE SPECIFIED TOLERANCE TO BE		THIS DOCUMENT IS THE PROPERTY OF AMPHENOL AUSTRALIA PTY. LTD.. NO PART THEREOF MAY BE REPRODUCED AND USED WITHOUT THE PRIOR WRITTEN CONSENT OF THE OWNER		0	FIRST ISSUE	D.v.E.	29.06.93	----	
LINEAR	ANGULAR	CAD FILE: 0124035000118	DRN: D.v.E.	DATE: 15.06.93	REV.	CHANGE DETAILS	BY	DATE	CHG/No
X ± 0.5	X° ± 1°	BREAK ALL SHARP EDGES AND REMOVE ALL BURRS	MATL: REFER TO NOTE 1	CKD: MH	DATE: 25/2/99	AC SERIES 7mm GROMMET CUSTOMER DRAWING		Amphenol Amphenol Australia Pty.Ltd, 248 Wickham Rd, Moorabbin Vic3189 DRAWING NO. SHEET 012-4035-00* 1 OF 1	
X.X ± 0.1	X°X' ± 30'	DO NOT SCALE	FINISH: REFER TO NOTE 2	APP'D: PM	DATE: 25/2/99	SCALE: 4:1		PART No: SEE TABLE	
X.XX ± 0.05	X°X'X" ± 15"	DIMENSIONS IN MILLIMETRES		THIRD ANGLE PROJECTION	SIZE: A3				