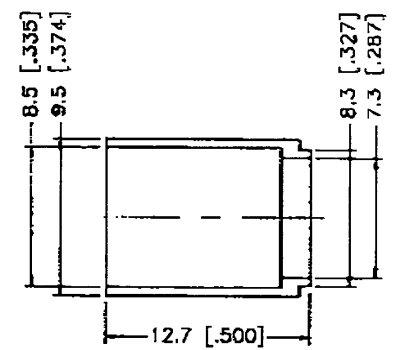
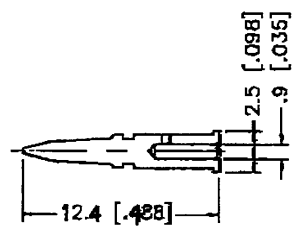
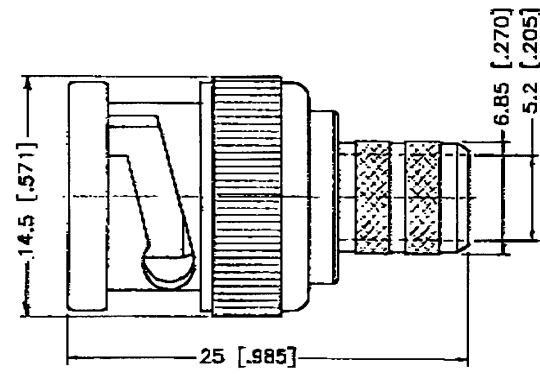
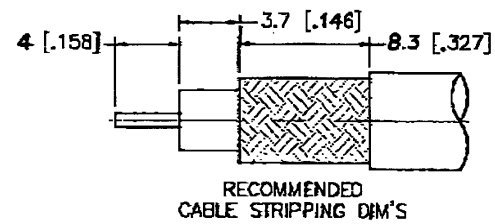


REV.	DATE	DESCRIPTION
NC	04/27/99	INITIAL RELEASE



	DESCRIPTION	MATERIAL	FINISH	UNLESS OTHERWISE SPECIFIED DIMENSIONS ARE IN MILLIMETERS	APPROVALS	DATE
1	BODY	BRASS	NICKEL	DIMENSIONS IN [] ARE IN INCHES FOR CUSTOMER REFERENCE ONLY	DRAWN	G.R.S. 04/27/99
2	INSULATOR	DELIN	NATURAL		CHECKED	
3	CONTACT PIN	BRASS	GOLD		ISSUED	
4	FERRULE	COPPER	NICKEL			
5				UNLESS OTHERWISE SPECIFIED TOLERANCES FOR MILLIMETERS ARE:		
6				0.5-6 = ± 0.2		
7				6-30 = ± 0.4		
				30-120 = ± 0.6		
				120-315 = ± 1		
				315-1000 = ± 1.6		
				1000-2000 = ± 2.4		

Connex
Connector Corporation

TITLE
**BNC CRIMP PLUG
(FOR BELDEN 88281 PLENUM)**

SIZE	PCSN. NO.	DRG. NO.	REV
A	99001	112625.DWG	NC