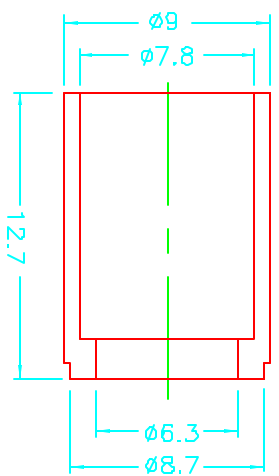
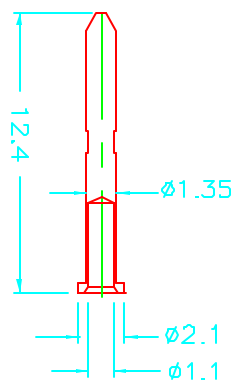
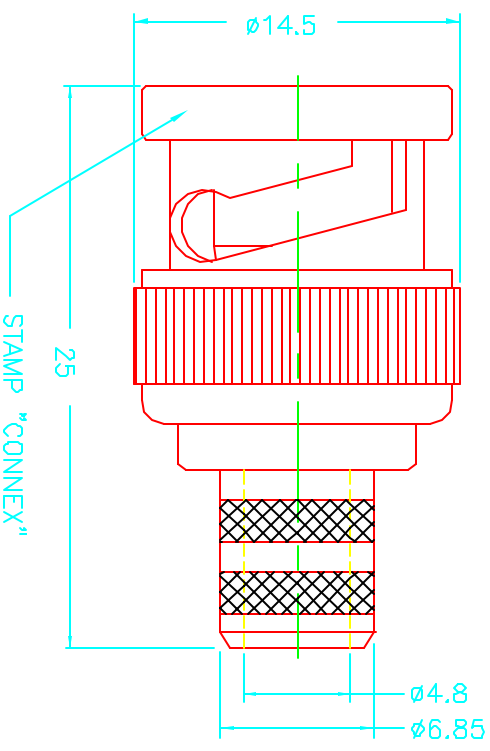
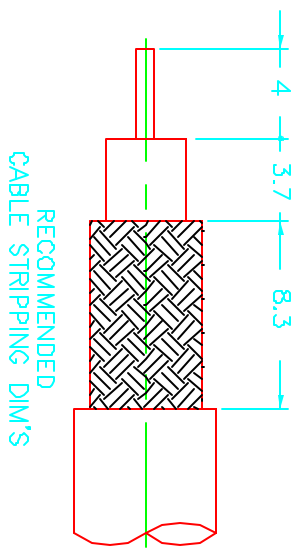


REV.	DATE	DESCRIPTION
NC	04/03/97	INITIAL RELEASE



- NOTES: FINISH (PLATING THICKNESS IN MICRO-INCHES)
1. NICKEL PL. 100 MIN. OVER COPPER PL. 50 MIN.
 2. GOLD PL. 30 MIN. OVER NICKEL PL. 50 MIN.
 3. TEFLON MIL-P-19468.

DESCRIPTION	MATERIAL	FINISH	DIMENSIONS ARE IN MILLIMETERS UNLESS OTHERWISE SPECIFIED TOLERANCES ARE		APPROVALS	DATE	TITLE				
1 BODY	BRASS	NICKEL	0.5-8 = ± 0.2	DRAWN	G.R.S.	04/03/97	Connex Connector Corporation BNC CRIMP PLUG (RG6 PLENUM/BELDEN 1695A- 75ohms)				
2 INSULATOR	TEFLON	NATURAL	6-30 = ± 0.4	CHECKED							
3 CONTACT PIN	BRASS	GOLD	30-120 = ± 0.6	ISSUED							
4 FERRULE	BRASS	NICKEL	120-315 = ± 1								
5			315-1000 = ± 1.8				SIZE	FORM NO.	DWG. NO.	REV.	
6			1000-2000 = ± 2.4				A	99001	112958	112958.DWG	NC
7							SCALE	PART NO.	SHEET	OF	
8							3:1	112958	1	1 OF 1	