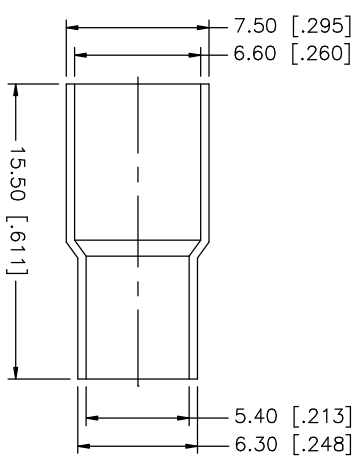
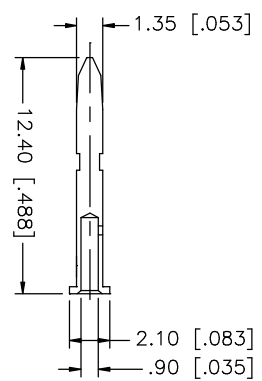
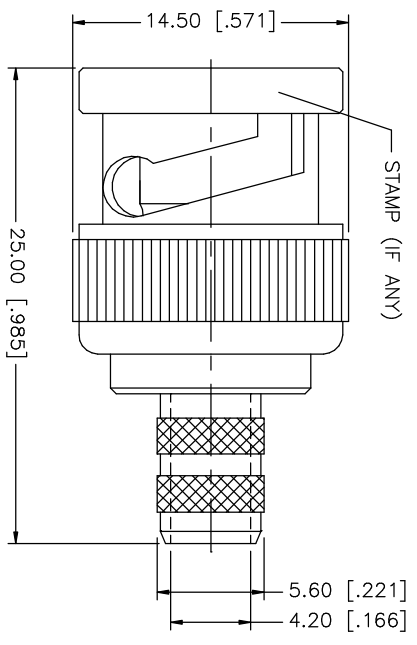
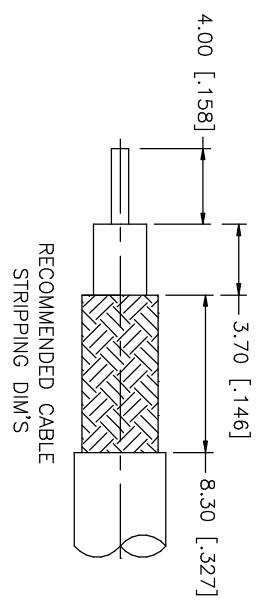


REV.	DATE	DESCRIPTION
A	06/05/03	UPDATE DRAWING FORMAT



NOTE:  
 1. CRIMPED FERRULE  
 HEX CRIMP SIZE .255"  
 2. CRIMPED CONTACT PIN  
 HEX CRIMP SIZE .043"

DESCRIPTION	MATERIAL	FINISH	QTY	DO NOT SCALE DRAWING	APPROVALS	DATE	PART DESCRIPTION	
8					UNLESS OTHERWISE SPECIFIED DIMENSIONS ARE IN MILLIMETERS. DIMENSIONS IN [ ] ARE IN INCHES AND FOR CUSTOMER REFERENCE ONLY.		<b>Amphenol Connex</b> BNC CRIMP PLUG (FOR BELDEN 1506A CABLE)	
7					UNLESS OTHERWISE SPECIFIED TOLERANCES FOR MILLIMETERS ARE:			
6					0.5 - 8mm ± 0.20mm	DRAWN G.R.S.		06/05/03
5					8 - 30mm ± 0.40mm	CHECKED		
4	FERRULE	COPPER	1		30 - 120mm ± 0.50mm	ISSUED		
3	INSULATOR	TEFLON	1		UNLESS OTHERWISE SPECIFIED TOLERANCES FOR INCHES ARE:	SHEET 1 OF 1		
2	CONTACT PIN	BRASS	1		.020 - .315 = ± 0.007"	CAD FILE		
1	BODY	BRASS	1		.315 - 1.180 = ± 0.015" 1.180 - 4.724 = ± 0.020"	C:/112/112975.DWG		
						DWG. NO.	112975.DWG	
						REV.	A	
						SIZE	A	
						SCALE	NA	