

1

2

3

4

5

6

A

A

B

B

C

C

D

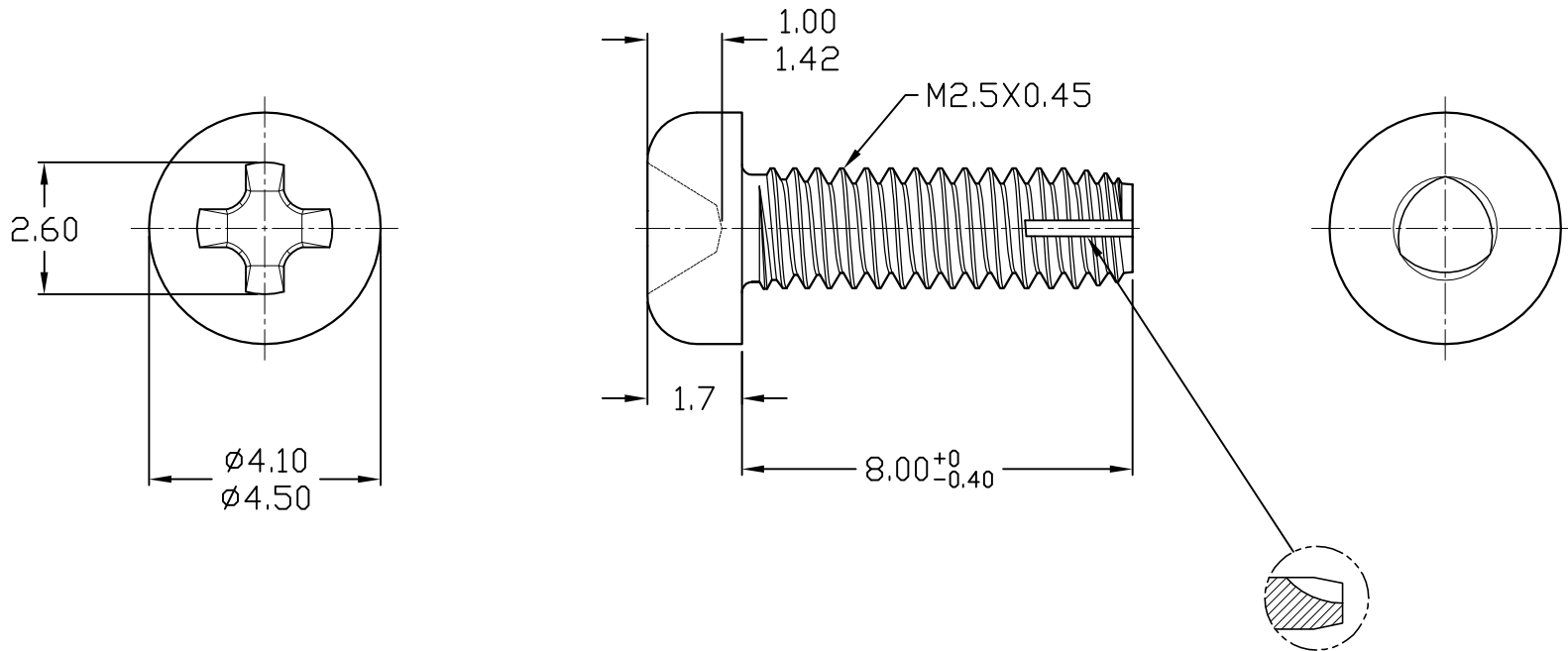
D

E

E

F

F



52500005-732	BLACK FINISH
52500005-731	NICKEL PLATE
P/N	FINISH

1.MATERIAL: CARBON STEEL C1018A.

UNLESS OTHERWISE SPECIFIED TOLERANCE TO BE		THIS DOCUMENT IS THE PROPERTY OF AMPHENOL AUSTRALIA PTY. LTD.. NO PART THEREOF MAY BE REPRODUCED AND USED WITHOUT THE PRIOR WRITTEN CONSENT OF THE OWNER			0	FIRST ISSUE	A.O	02/05/08	----
LINEAR	ANGULAR	CAD FILE: 52500005731110	DRN:	A.O	DATE: 02/05/08	TITLE:	SCREW M2.5		
X ± 0.50	X' ± 1"	MATL: REFER TO NOTE		CKD:	T.N	DATE: 02/05/08	B SERIES CONNECTOR		Amphenol Amphenol Australia Pty Ltd, 2 Fineways Blvd, Keysborough, Vic 3173 DRAWING NO. SHEET
X.X ± 0.20	X'X' ± 30'	FINISH: REFER TO TABLE		APP'D:	P.M	DATE: 02/05/08	52500005-731-1		
X.XX ± 0.05	X'X'X' ± 15'	DO NOT SCALE		THIRD ANGLE PROJECTION		SCALE: 1:1 UOS	PART No: 52500005-73*	SIZE: A4	1 OF 1