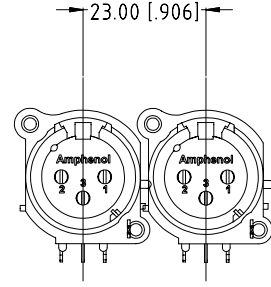
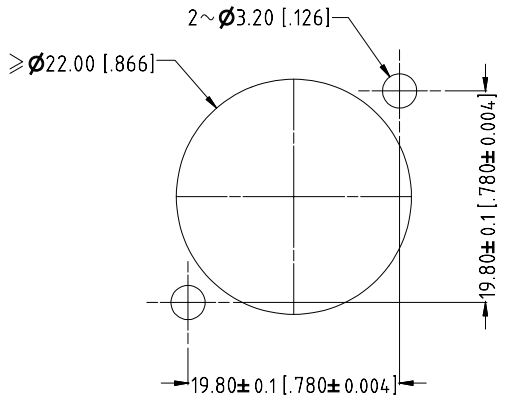


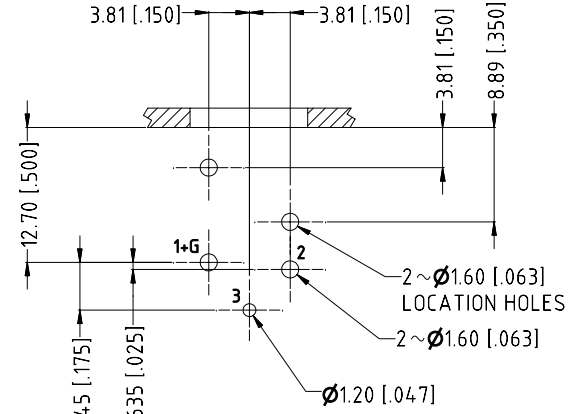
**ISO VIEW**  
SCALE 1:1



**MIN MOUNTING PITCH**  
SCALE 1:1



**PANEL CUT OUT**  
REAR VIEW



**PCB LAYOUT**  
COMPONENT SIDE  
TOLERANCE: ±0.05mm [0.002"]

UNLESS OTHERWISE SPECIFIED TOLERANCE TO BE		THIS DOCUMENT IS THE PROPERTY OF AMPHENOL AUSTRALIA PTY. LTD. NO PART THEREOF MAY BE REPRODUCED AND USED WITHOUT THE PRIOR WRITTEN CONSENT OF THE OWNER				1	UPDATE FROM CUSTOMER DRAWING ADD PAGE 1 OF 2 FOR ASSEMBLY DRAWING	L.V	12-06-03	8185		
LINEAR	ANGULAR					0	FIRST ISSUE	L.V	29-12-00	---		
X ± 0.5	X' ± 1					REV.		CHANGE DETAILS		BY	DATE	CHG/No
XX ± 0.1	XX' ± 30'	CAD FILE: 55010032000221	DRN: L.V	DATE: 29-12-00	TITLE: AC3FAHL1-AU A-TYPE HORIZ CUSTOMER DWG							
XXX ± 0.05	XXX' ± 15'	MATL: SEE COMPONENT	CKD: M.N.H	DATE: 20-06-03								
DO NOT SCALE		FINISH: SEE COMPONENT	APP'D: P.M	DATE: 30-06-03								
DIMENSIONS IN MILLIMETRES		THIRD ANGLE PROJECTION		SCALE: 2:1 UOS	PART No: 55010032-000	SIZE: A3	55010032-000-2		SHEET 2/2			

**Amphenol**  
Amphenol Australia Pty Ltd, 2 Firminys Blvd, Keyborough, Vic3173