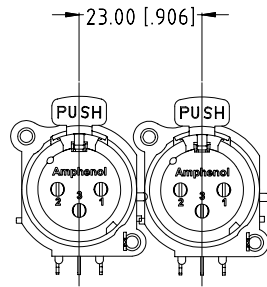
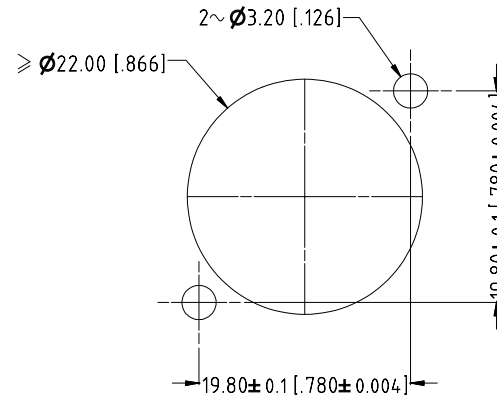


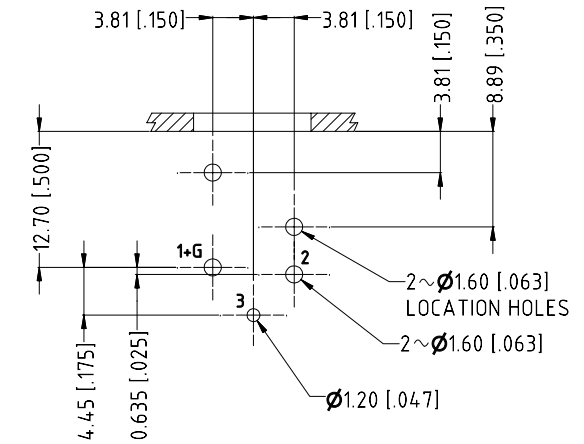
ISO VIEW
SCALE 1:1



MIN MOUNTING PITCH
SCALE 1:1



PANEL CUT OUT
REAR VIEW



PCB LAYOUT
COMPONENT SIDE
TOLERANCE: ± 0.05 [1.002"]

UNLESS OTHERWISE SPECIFIED TOLERANCE TO BE		THIS DOCUMENT IS THE PROPERTY OF AMPHENOL AUSTRALIA PTY. LTD. NO PART THEREOF MAY BE REPRODUCED AND USED WITHOUT THE PRIOR WRITTEN CONSENT OF THE OWNER				1	UPDATE FROM CUSTOMER DRAWING ADD PAGE 1 OF 2 FOR ASSEMBLY DRAWING	L.V	12-06-03	8185
LINEAR	ANGULAR					0	FIRST ISSUE	L.V	23-03-01	----
X ± 0.5 XX ± 0.1 XXX ± 0.05	X ° ± 1 X'X' ± 30 X'X'X' ± 15					REV.	CHANGE DETAILS	BY	DATE	CHG/No
BREAK ALL SHARP EDGES AND REMOVE ALL BURRS		CAD FILE: 55010044000221	DRN: L.V	DATE: 23-03-01	TITLE: AC3FAH3-AU A-TYPE HORIZ CUSTOMER DWG	Amphenol Australia Pty Ltd, 2 Fiveways Blvd, Keysborough, Vic3173		DRAWING NO. 55010044-000-2		
DO NOT SCALE		MATL: SEE COMPONENT	CKD: M.N.H	DATE: 20-06-03	Amphenol Australia Pty Ltd, 2 Fiveways Blvd, Keysborough, Vic3173		DRAWING NO. 55010044-000-2		SHEET 2/2	
DIMENSIONS IN MILLIMETRES		FINISH: SEE COMPONENT	APP'D: P.M	DATE: 30-06-03	Amphenol Australia Pty Ltd, 2 Fiveways Blvd, Keysborough, Vic3173		DRAWING NO. 55010044-000-2		SHEET 2/2	
		SCALE: 2:1 UOS		PART No: 55010044-000	SIZE: A3					