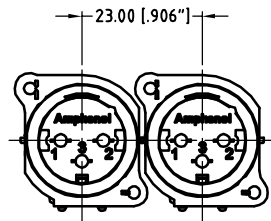
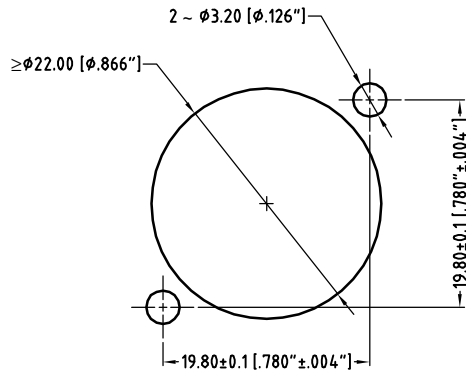


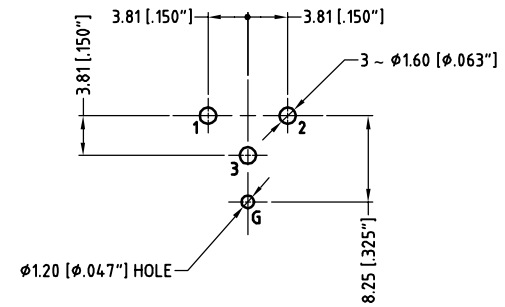
ISO VIEW
SCALE 1:1



MIN MOUNTING PITCH
SCALE 1:1



PANEL CUT OUT
REAR VIEW



PCB - LAYOUT
COMPONENT SIDE
TOLERANCE: ±0.05mm [0.002"]

UNLESS OTHERWISE SPECIFIED TOLERANCE TO BE		THIS DOCUMENT IS THE PROPERTY OF AMPHENOL AUSTRALIA PTY. LTD. NO PART THEREOF MAY BE REPRODUCED AND USED WITHOUT THE PRIOR WRITTEN CONSENT OF THE OWNER				0	FIRST ISSUE	L.V	23-01-03	----
LINEAR	ANGULAR	CAD FILE: 55010167000220				REV.	CHANGE DETAILS	BY	DATE	CHG/No
X ± 0.5	X° ± 1°	DRN: L.V				TITLE: AC3MAV4 A-TYPE VERTICAL MALE CUSTOMER DRAWING		Amphenol		
X.X ± 0.1	X°X' ± 30'	MATERIAL: REFER TO COMPONENT				DATE: 23-01-03		Amphenol Australia Pty Ltd, 2 Fireways Blvd, Keaysborough, Vic 3173		
X.XX ± 0.05	X°X'X" ± 15"	FINISH: REFER TO COMPONENT				DATE: 20-06-03		DRAWING NO. SHEET		
DO NOT SCALE		APP'D: P.M				DATE: 20-06-03		2 OF 2		
DIMENSIONS IN MILLIMETRES		THIRD ANGLE PROJECTION		SCALE: 2:1 UOS	PART No: 55010167-000	SIZE: A3	55010167-000-2			