

1

2

3

4

5

6

A

B

C

D

E

F

A

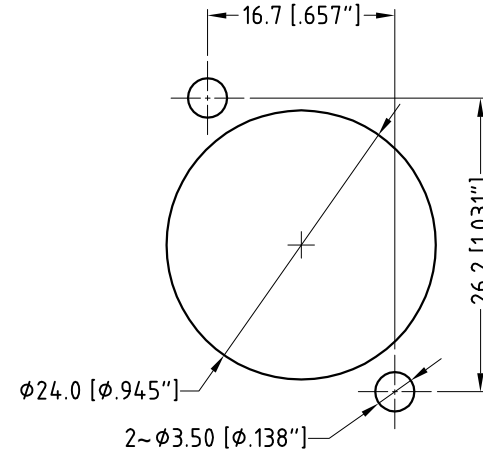
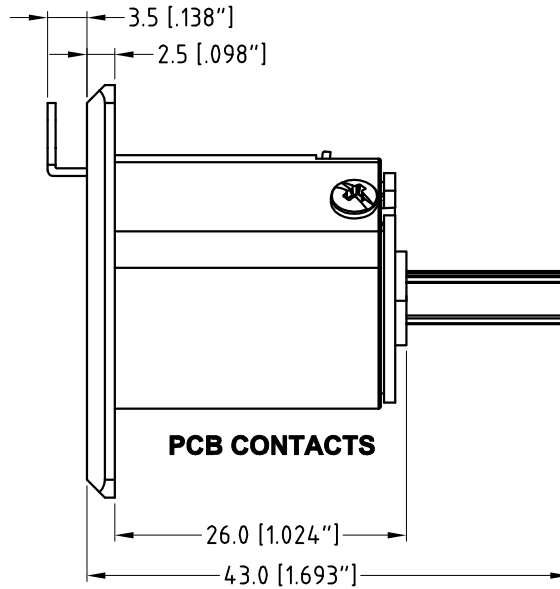
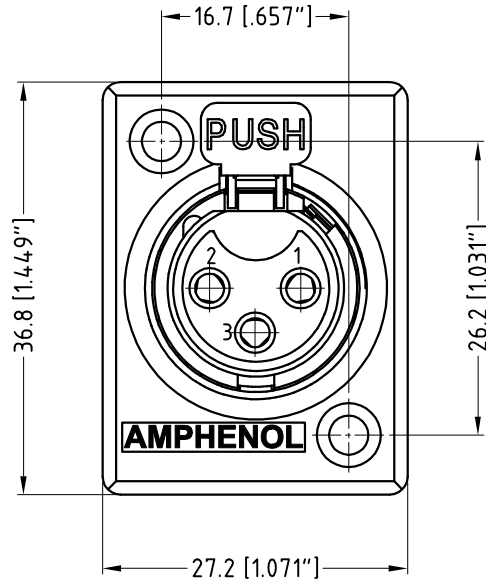
B

C

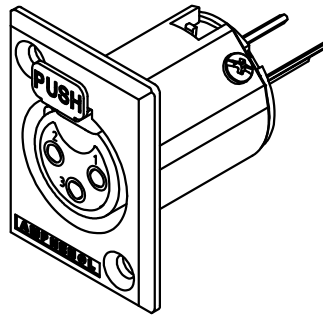
D

E

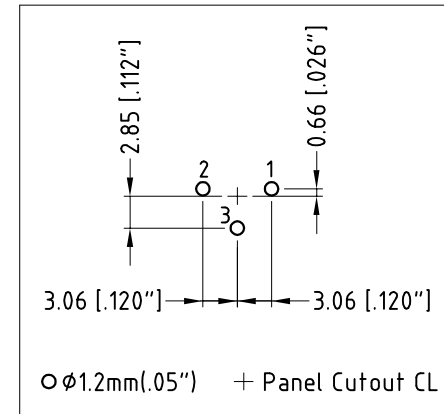
F



PANEL CUTOUT



ISO VIEW



CATALOGUE P/N	SHELL FINISH
AC3FPZV	NICKEL
AC3FPZVB	MATT BLACK

UNLESS OTHERWISE SPECIFIED TOLERANCE TO BE		THIS DOCUMENT IS THE PROPERTY OF AMPHENOL AUSTRALIA PTY. LTD.. NO PART THEREOF MAY BE REPRODUCED AND USED WITHOUT THE PRIOR WRITTEN CONSENT OF THE OWNER			0	FIRST ISSUE	L.V	04-04-06	----	
LINEAR	ANGULAR	CAD FILE: 55010365000110	DRN: L.V	DATE: 04-04-06	REV.	CHANGE DETAILS	BY	DATE	CHG/No	
X ± 0.5	X° ± 1°	MATL: REFER TO COMPONENT	CKD: M.N.H	DATE: 01-05-06						
X.X ± 0.1	X°X' ± 30'	FINISH: REFER TO COMPONENT	APP'D: P.M	DATE: 01-05-06						
X.XX ± 0.05	X°X'X" ± 15"	DIMENSIONS IN MILLIMETRES		SCALE: 1.5:1 UOS	PART No: REFER TO CHART		SIZE: A4	DRAWING NO. SHEET		
					TITLE: AC3FPZV* PANEL MOUNT CUSTOMER DWG			Amphenol Australia Pty Ltd, 2 Fireways Blvd, Keysborough, Vic3175		
					55010365-000-1			1 OF 1		