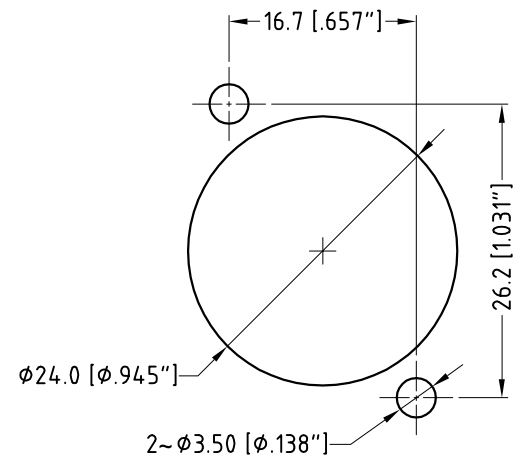
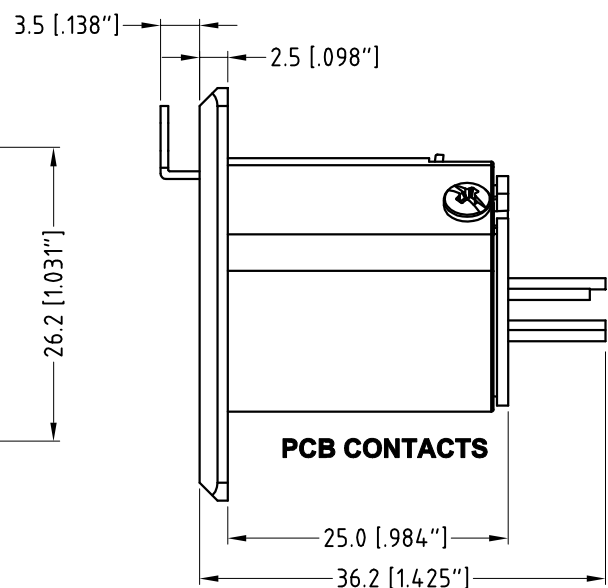
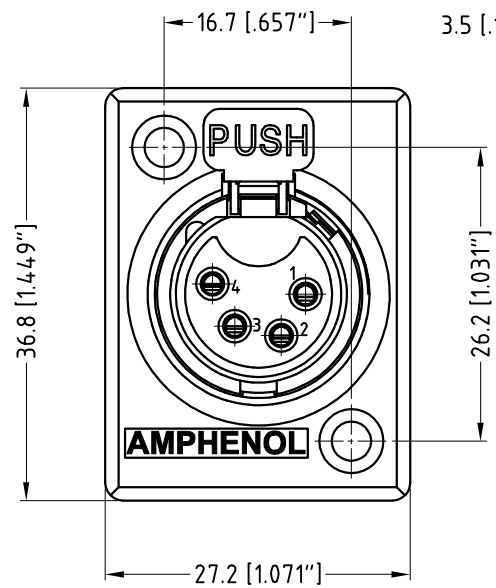


1 2 3 4 5 6

A



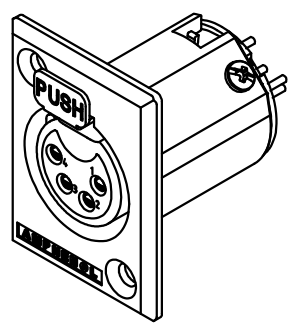
PANEL CUTOUT



B

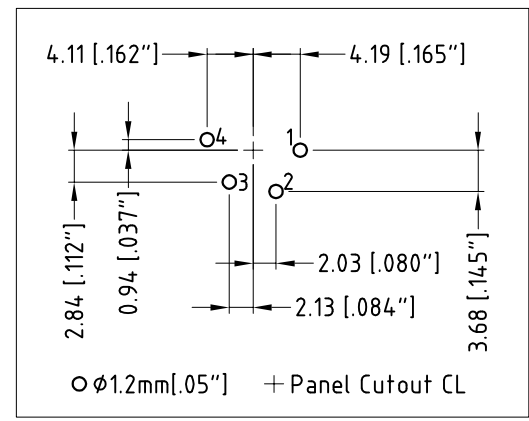
C

D



ISO VIEW

| CATALOGUE P/N | SHELL FINISH |
|---------------|--------------|
| AC4FPZV | NICKEL |
| AC4FPZVB | MATT BLACK |



E

F

| | | | | | | | | | |
|--|--------------|--|--|--|------------------|-------------------------|---|--------------|------|
| UNLESS OTHERWISE SPECIFIED TOLERANCE TO BE | | THIS DOCUMENT IS THE PROPERTY OF AMPHENOL AUSTRALIA PTY. LTD.. NO PART THEREOF MAY BE REPRODUCED AND USED WITHOUT THE PRIOR WRITTEN CONSENT OF THE OWNER | | | 0 | FIRST ISSUE | L.V | 04-04-06 | ---- |
| LINEAR | ANGULAR | CAD FILE: 55010366000110 | | | DRN: L.V | DATE: 04-04-06 | TITLE: AC4FPZV* PANEL MOUNT CUSTOMER DWG | | |
| X ± 0.5 | X° ± 1° | MATERIAL: REFER TO COMPONENT | | | CKD: M.N.H | DATE: 01-05-06 | Amphenol Australia Pty Ltd, 2 Fireways Blvd, Keysborough, Vic3173 | | |
| X.X ± 0.1 | X°X' ± 30' | FINISH: REFER TO COMPONENT | | | APP'D: P.M | DATE: 01-05-06 | DRAWING NO. 55010366-000-1 | | |
| X.XX ± 0.05 | X°X'X" ± 15' | DIMENSIONS IN MILLIMETRES | | | SCALE: 1.5:1 UOS | PART No: REFER TO CHART | SIZE: A4 | SHEET 1 OF 1 | |

1 2 3 4 5 6