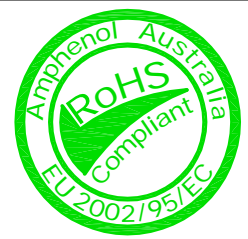
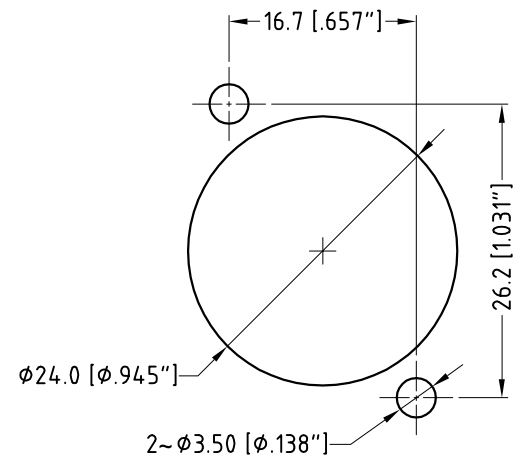
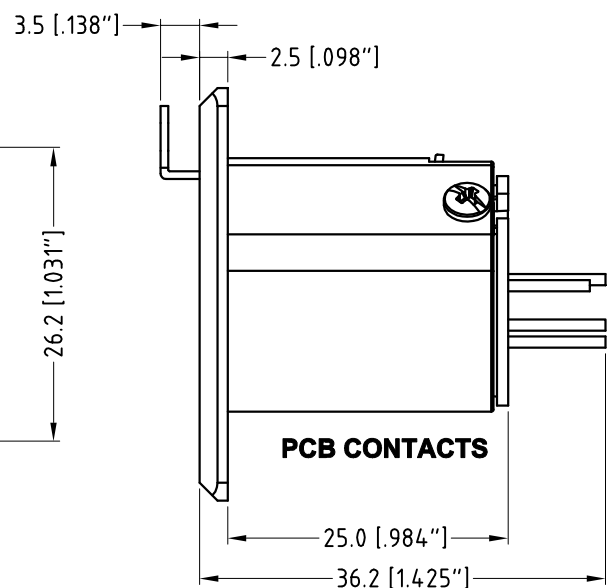
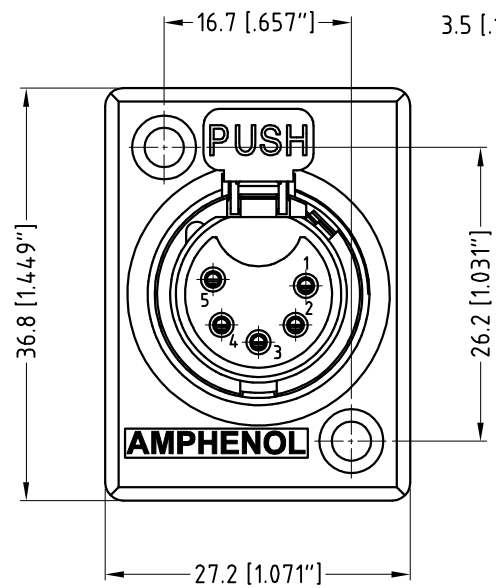
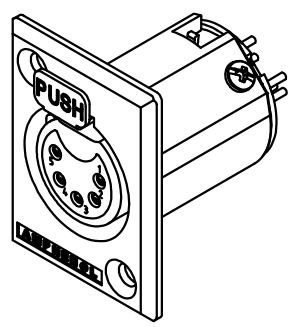


1 2 3 4 5 6

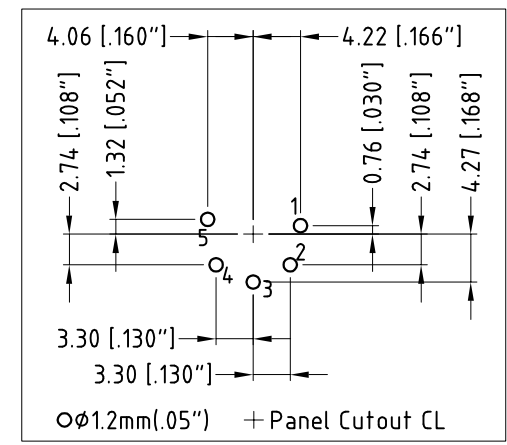
A
B
C
D
E
F



PANEL CUTOUT



ISO VIEW



| CATALOGUE P/N | SHELL FINISH |
|---------------|--------------|
| AC5FPZV | NICKEL |
| AC5FPZVB | MATT BLACK |

| | | | | | | | | | |
|--|--------------|--|------------|------------------------|-------------------------|--|----------|----------------------------|--------|
| UNLESS OTHERWISE SPECIFIED TOLERANCE TO BE | | THIS DOCUMENT IS THE PROPERTY OF AMPHENOL AUSTRALIA PTY. LTD.. NO PART THEREOF MAY BE REPRODUCED AND USED WITHOUT THE PRIOR WRITTEN CONSENT OF THE OWNER | | | 0 | FIRST ISSUE | L.V | 04-04-06 | ---- |
| LINEAR | ANGULAR | CAD FILE: 55010367000110 | DRN: L.V | DATE: 04-04-06 | REV. | CHANGE DETAILS | BY | DATE | CHG/No |
| X ± 0.5 | X° ± 1° | MATL: REFER TO COMPONENT | CKD: M.N.H | DATE: 01-05-06 | | | | | |
| X.X ± 0.1 | X°X' ± 30' | FINISH: REFER TO COMPONENT | APP'D: P.M | DATE: 01-05-06 | | | | | |
| X.XX ± 0.05 | X°X'X" ± 15" | DIMENSIONS IN MILLIMETRES | | SCALE: 1.5:1 UOS | PART No: REFER TO CHART | | SIZE: A4 | DRAWING NO. 55010367-000-1 | |
| BREAK ALL SHARP EDGES AND REMOVE ALL BURRS | | | | DO NOT SCALE | | TITLE: AC5FPZV* PANEL MOUNT CUSTOMER DWG | | SHEET 1 OF 1 | |
| | | | | THIRD ANGLE PROJECTION | | Amphenol Australia Pty Ltd, 2 Fireways Blvd, Keysborough, Vic 3175 | | | |

1 2 3 4 5 6