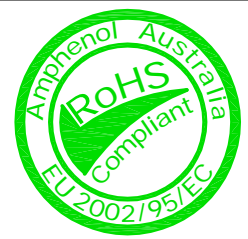
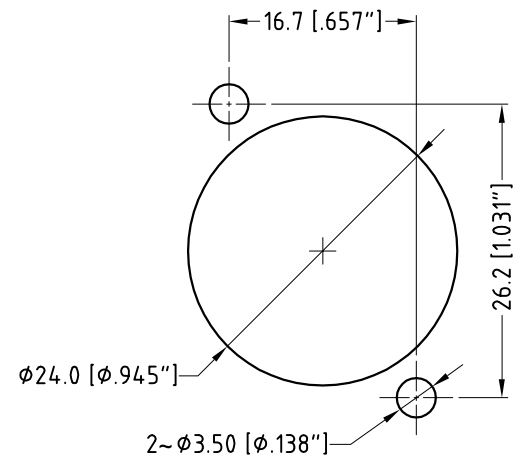
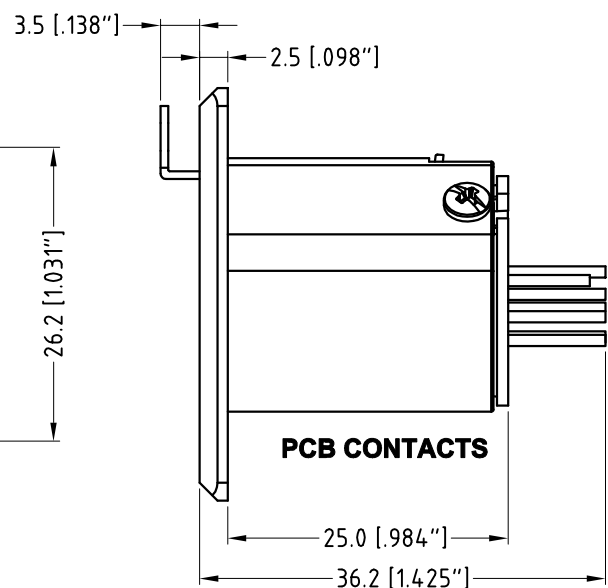
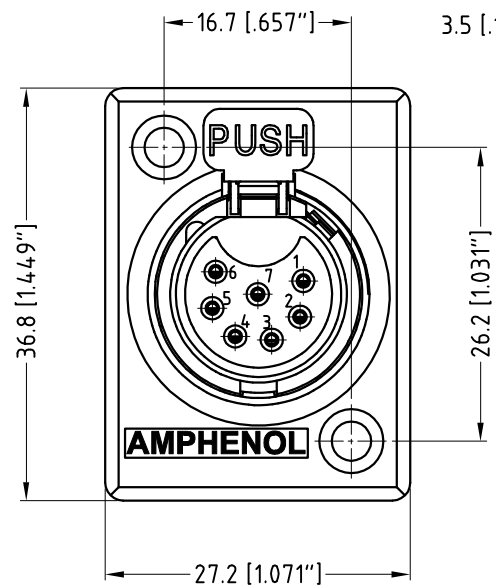
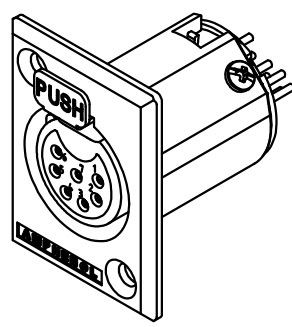
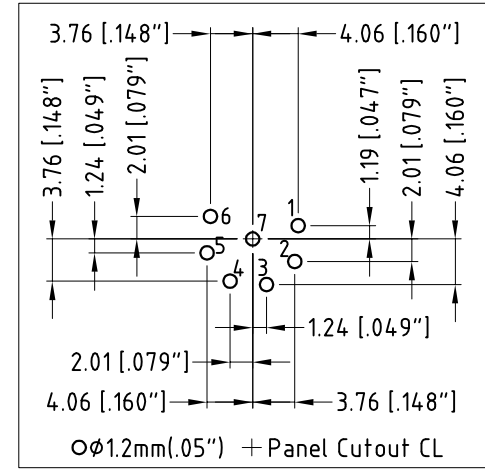


1 2 3 4 5 6

A
B
C
D
E
F



PANEL CUTOUT



ISO VIEW

CATALOGUE P/N	SHELL FINISH
AC7FPZV	NICKEL
AC7FPZVB	MATT BLACK

UNLESS OTHERWISE SPECIFIED TOLERANCE TO BE		THIS DOCUMENT IS THE PROPERTY OF AMPHENOL AUSTRALIA PTY. LTD.. NO PART THEREOF MAY BE REPRODUCED AND USED WITHOUT THE PRIOR WRITTEN CONSENT OF THE OWNER			0	FIRST ISSUE	L.V	04-04-06	----
LINEAR	ANGULAR	CAD FILE: 55010369000110	DRN: L.V	DATE: 04-04-06	REV.	CHANGE DETAILS	BY	DATE	CHG/No
X ± 0.5	X° ± 1°	MATL: REFER TO COMPONENT	CKD: M.N.H	DATE: 01-05-06					
X.X ± 0.1	X°X' ± 30'	FINISH: REFER TO COMPONENT	APP'D: P.M	DATE: 01-05-06					
X.XX ± 0.05	X°X'X" ± 15"	DIMENSIONS IN MILLIMETRES		SCALE: 1.5:1 UOS	PART No: REFER TO CHART		SIZE: A4	DRAWING NO. 55010369-000-1	
				THIRD ANGLE PROJECTION		TITLE: AC7FPZV* PANEL MOUNT CUSTOMER DWG		SHEET 1 OF 1	
						Amphenol		Amphenol Australia Pty Ltd, 2 Fireways Blvd, Keysborough, Vic3175	

1 2 3 4 5 6