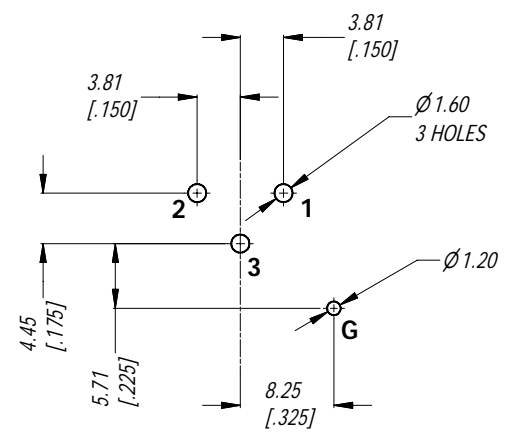
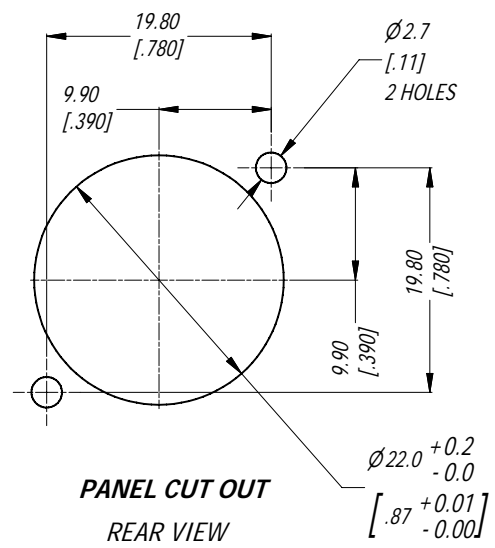


MIN MOUNTING PITCH

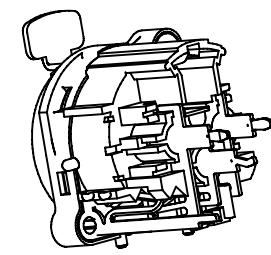
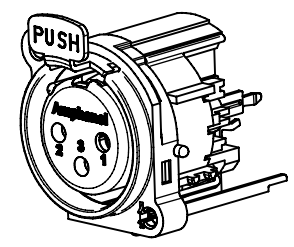


PCB LAYOUT

LAYOUT TOLERANCE : ± 0.05 [0.002 in]



PANEL CUT OUT
REAR VIEW



3D VIEW (1:1)

NOTE: DIMENSIONS IN PARENTHESES ARE IN INCHES.

UNLESS OTHERWISE SPECIFIED TOLERANCE TO BE:		THIS DOCUMENT IS THE PROPERTY OF AMPHENOL AUSTRALIA PTY. LTD. NO PART THEREOF MAY BE REPRODUCED AND USED WITHOUT THE PRIOR WRITTEN CONSENT OF THE OWNER			
LINEAR	ANGULAR	CAD FILE: 55010463000210	DRN: T.N	DATE: 17/04/07	TITLE: XLR FEMALE B TYPE CONNECTOR CUSTOMER DWG
X ±	X' ± 1		CKD: P.M	DATE: 05/09/07	
X.X ±	X.X' ± 30°		APP'D: P.M	DATE: 05/09/07	
X.XX ±	X.XX' ± 15°	DO NOT SCALE	FINISH:	SCALE: 3:2	PART No: AC3FBV2-AU
BREAK ALL SHARP EDGES AND REMOVE ALL BURRS		THIRD ANGLE PROJECTION		SIZE: A4	DRAWING NO. 55010463-000-2
DIMENSIONS IN MILLIMETRES				SHEET 2/2	

0	FIRST ISSUE	18/04/07	T.N	8686
REV	DESCRIPTION	DATE	BY	CHG NO
REVISION HISTORY				
Amphenol				
Amphenol Australia Pty.Ltd. 2 Fiveways Blvd, Keysborough, Vic3173				