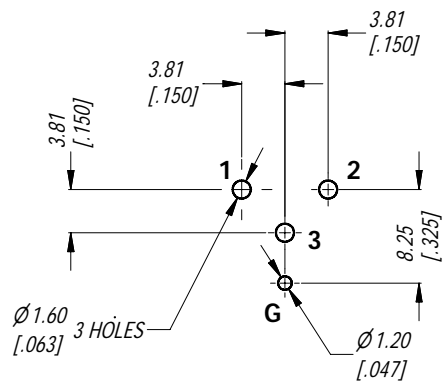
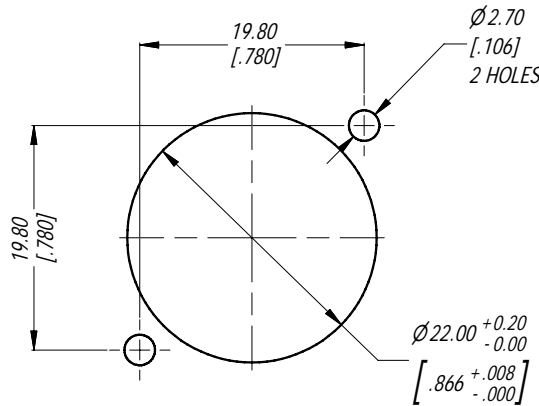


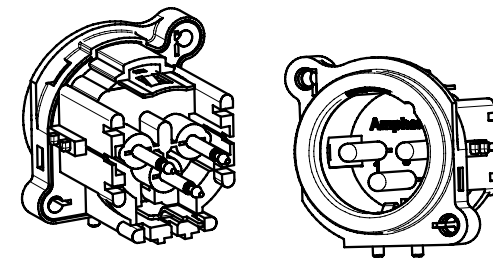
MIN MOUNTING PITCH (1:1)



PCB LAYOUT
TOLERANCE: $\pm 0.05 [\pm .002]$



PANEL CUT OUT
REAR VIEW



3D VIEW (1:1)

NOTE: DIMENSIONS IN PARENTHESES ARE IN INCHES.

UNLESS OTHERWISE SPECIFIED TOLERANCE TO BE:		THIS DOCUMENT IS THE PROPERTY OF AMPHENOL AUSTRALIA PTY. LTD. NO PART THEREOF MAY BE REPRODUCED AND USED WITHOUT THE PRIOR WRITTEN CONSENT OF THE OWNER			
LINEAR	ANGULAR	CAD FILE: 55010466000210 DRN: T.N DATE: 04/09/07			
X ±0.5	X° ±1				
X.X ±0.1	X.X° ±30°				
X.XX ±0.05	X.XX° ±15°	MATERIAL: MATL:		CKD: P.M DATE: 06/09/07	
BREAK ALL SHARP EDGES AND REMOVE ALL BURRS		DO NOT SCALE		APP'D: P.M DATE: 06/09/07	
DIMENSIONS IN MILLIMETRES		FINISH:		SCALE: 1.5:1 PART No: AC3MBV-AU	

0	FIRST ISSUE	03/09/07	T.N	8686
REV	DESCRIPTION	DATE	BY	CHG No
REVISION HISTORY				
TITLE:		Amphenol Amphenol Australia Pty.Ltd. 2 Fiveways Blvd, Keysborough, Vic3173		
XLR MALE B TYPE CONNECTOR CUSTOMER DWG				
DRAWING NO. 55010466-000-2		SHEET 2/2		