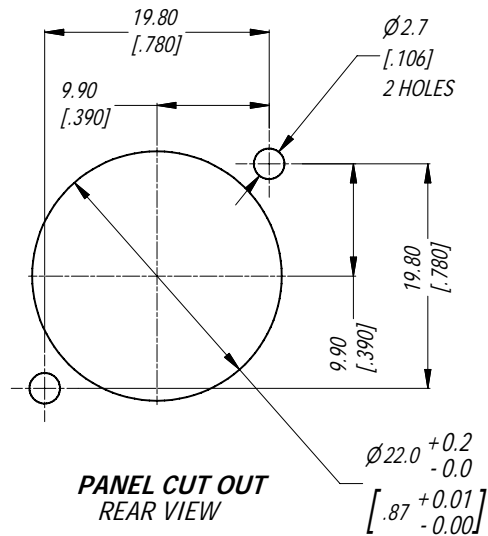
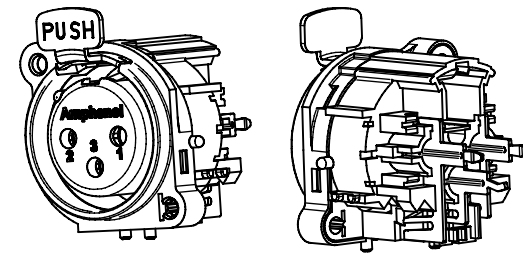


PCB LAYOUT
LAYOUT TOLERANCE : ± 0.05 [$\pm .002$ in]



**PANEL CUT OUT
REAR VIEW**



3D VIEW (1:1)

NOTE: DIMENSIONS IN PARENTHESES ARE IN INCHES.

UNLESS OTHERWISE SPECIFIED TOLERANCE TO BE:		THIS DOCUMENT IS THE PROPERTY OF AMPHENOL AUSTRALIA PTY. LTD. NO PART THEREOF MAY BE REPRODUCED AND USED WITHOUT THE PRIOR WRITTEN CONSENT OF THE OWNER			
LINEAR	ANGULAR	CAD FILE: 55010467000210 DRN: T.N DATE: 17/04/07 CKD: P.M DATE: 24/05/07 APP'D: P.M DATE: 24/05/07			
X ±	X' ± 1				
X.X ±	X.X' ± 30°				
X.XX ±	X.XX' ± 15°	MATERIAL:		DO NOT SCALE	
BREAK ALL SHARP EDGES AND REMOVE ALL BURRS		FINISH:		SCALE: 3:2	
DIMENSIONS IN MILLIMETRES		THIRD ANGLE PROJECTION		PART No: AC3FBV-AU	

0	FIRST ISSUE	03/09/07	T.N	8686
REV	DESCRIPTION	DATE	BY	CHG NO
REVISION HISTORY				
TITLE:		Amphenol Amphenol Australia Pty.Ltd. 2 Fiveways Blvd, Keysborough, Vic3173		
XLR FEMALE B TYPE CONNECTOR CUSTOMER DWG				
DRAWING NO. 55010467-000-2		SHEET 2/2		