

1

2

3

4

5

6

A

A

B

B

C

C

D

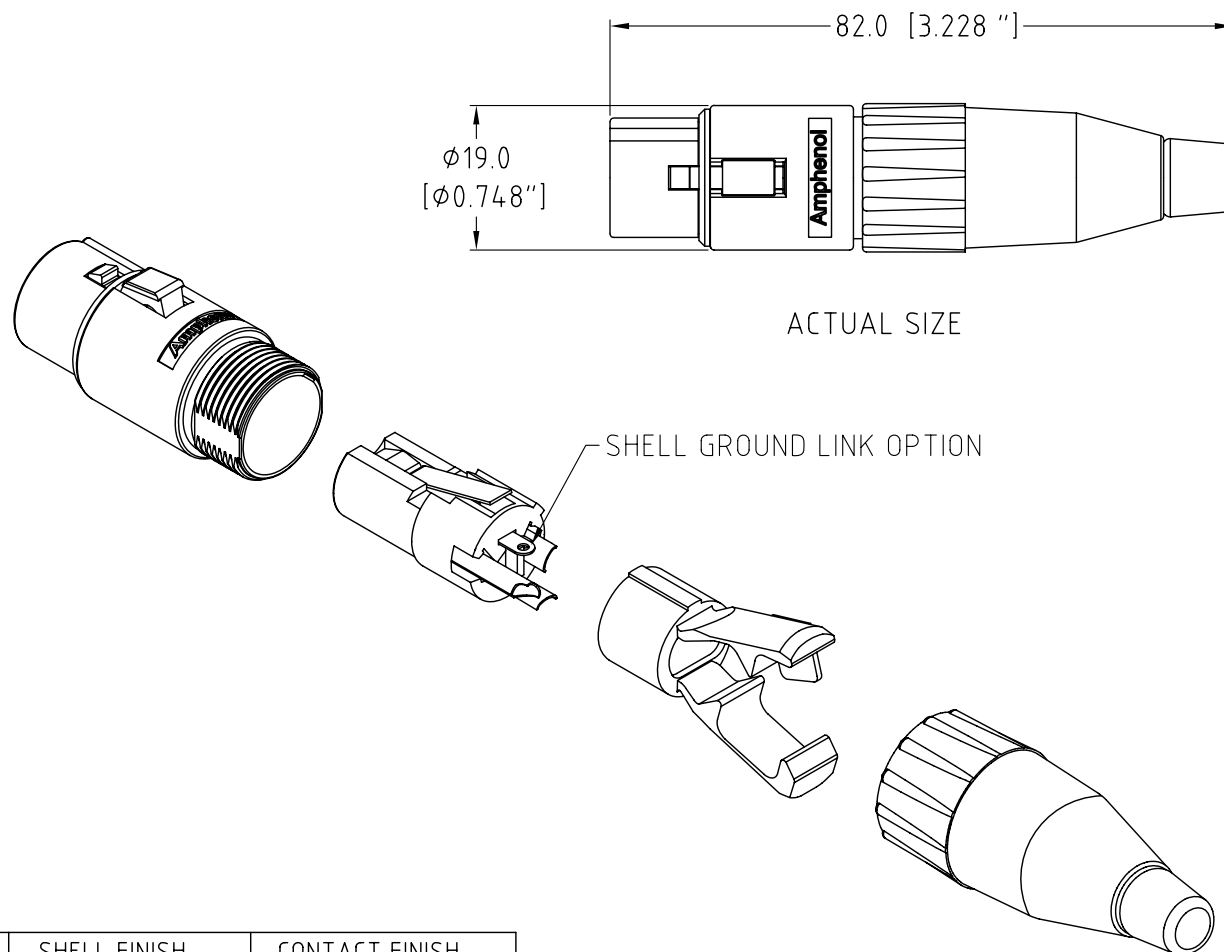
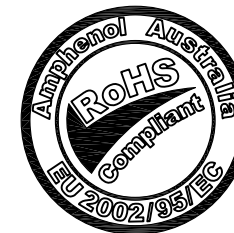
D

E

E

F

F



CAT P/No.	SHELL FINISH	CONTACT FINISH
AC3FG	NICKEL	TIN PLATING
AC3FGJ		
AC3FG-AU		GOLD PLATING
AC3FGJ-AU		
AC3FGB	BLACK	TIN PLATING
AC3FGBJ		
AC3FGB-AU		GOLD PLATING
AC3FGBJ-AU		

UNLESS OTHERWISE SPECIFIED TOLERANCE TO BE		THIS DOCUMENT IS THE PROPERTY OF AMPHENOL AUSTRALIA PTY. LTD. NO PART THEREOF MAY BE REPRODUCED AND USED WITHOUT THE PRIOR WRITTEN CONSENT OF THE OWNER			0	FIRST ISSUE	MH	24-07-07	----
LINEAR	ANGULAR	CAD FILE:	DRN:	DATE:	REV.	CHANGE DETAILS	BY	DATE	CHG/No
X ± 0.5	X° ± 1°	55010472000110	MH	24-07-07					
XX ± 0.1	X°X' ± 30'		MH	24-07-07					
XXX ± 0.05	X°X'X" ± 15"		MH	24-07-07					
BREAK ALL SHARP EDGES AND REMOVE ALL BURRS		MATL: REFER TO COMPONENT		APP'D: MH		DATE: 24-07-07		TITLE: AC3FGx LINE CONNECTOR CUSTOMER DWG	
DO NOT SCALE		FINISH: REFER TO COMPONENT		SCALE: 1:1 UOS		PART No: REFER TO CHART		SIZE: A4	
DIMENSIONS IN MILLIMETRES		THIRD ANGLE PROJECTION		DRAWING NO. 55010472-000		SHEET 2 OF 2		Amphenol Australia Pty.Ltd, 2 Fireways Blvd, Keysborough, Vic3173	