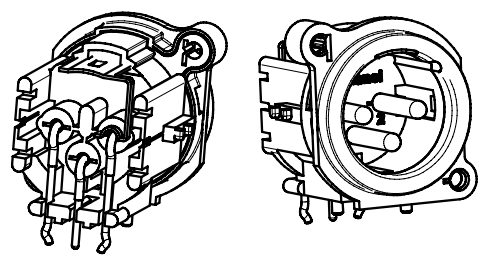
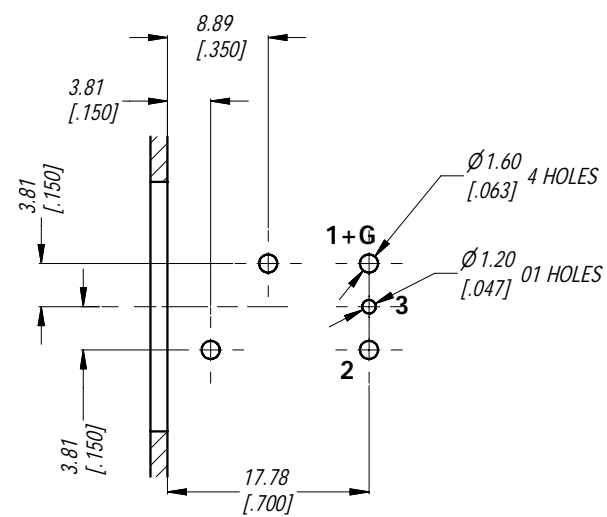


MIN MOUNTING PITCH (1:1)

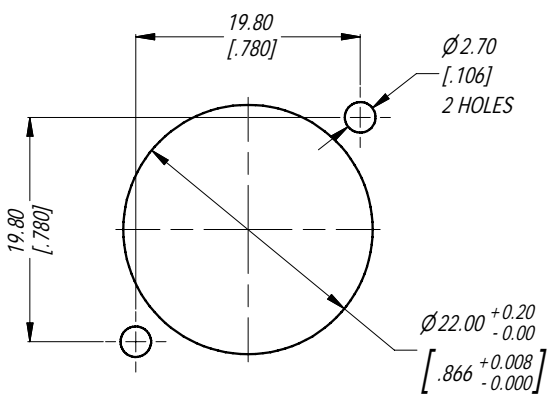


3D VIEW (1:1)



PCB LAYOUT

TOLERANCE: ± 0.05 [± .002]



PANEL CUT OUT REAR VIEW

NOTE: DIMENSIONS IN PARENTHESES ARE IN INCHES.

|                                             |            |                                                                                                                                                         |  |                            |  |
|---------------------------------------------|------------|---------------------------------------------------------------------------------------------------------------------------------------------------------|--|----------------------------|--|
| UNLESS OTHERWISE SPECIFIED TOLERANCE TO BE: |            | THIS DOCUMENT IS THE PROPERTY OF AMPHENOL AUSTRALIA PTY. LTD. NO PART THEREOF MAY BE REPRODUCED AND USED WITHOUT THE PRIOR WRITTEN CONSENT OF THE OWNER |  |                            |  |
| LINER                                       | ANGULAR    | CAD FILE: <b>55010481000210</b> DRN: T.N DATE: 04/09/07                                                                                                 |  |                            |  |
| X ±0.5                                      | X° ±1      |                                                                                                                                                         |  |                            |  |
| X.X ±0.1                                    | X.X° ±30°  |                                                                                                                                                         |  |                            |  |
| X.XX ±0.05                                  | X.XX° ±15° | MATERIAL: MATL:                                                                                                                                         |  | DATE: 06/09/07             |  |
| BREAK ALL SHARP EDGES AND REMOVE ALL BURRS  |            | APP'D: P.M                                                                                                                                              |  | DATE: 06/09/07             |  |
| DO NOT SCALE                                |            | FINISH:                                                                                                                                                 |  | SCALE: <b>1.5:1</b>        |  |
| DIMENSIONS IN MILLIMETRES                   |            | THIRD ANGLE PROJECTION                                                                                                                                  |  | PART No: <b>AC3MBH3-AU</b> |  |

|                                               |             |                                                                   |     |        |
|-----------------------------------------------|-------------|-------------------------------------------------------------------|-----|--------|
| 0                                             | FIRST ISSUE | 03/09/07                                                          | T.N | 8686   |
| REV                                           | DESCRIPTION | DATE                                                              | BY  | CHG No |
| REVISION HISTORY                              |             |                                                                   |     |        |
| TITLE:                                        |             | <b>Amphenol</b>                                                   |     |        |
| <b>XLR MALE B TYPE CONNECTOR CUSTOMER DWG</b> |             |                                                                   |     |        |
| DRAWING NO. <b>55010481-000-2</b>             |             | SHEET <b>2/2</b>                                                  |     |        |
| SIZE: <b>A4</b>                               |             | Amphenol Australia Pty.Ltd. 2 Fiveways Blvd, Keysborough, Vic3173 |     |        |