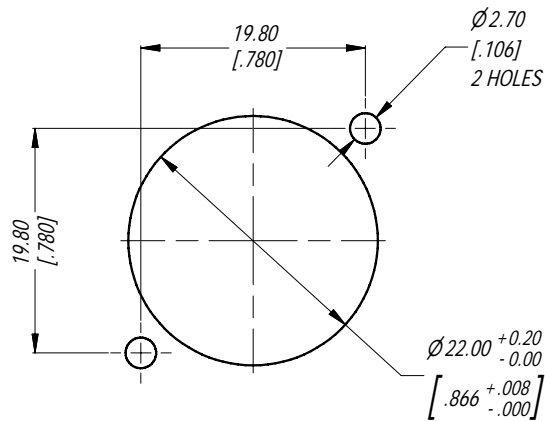
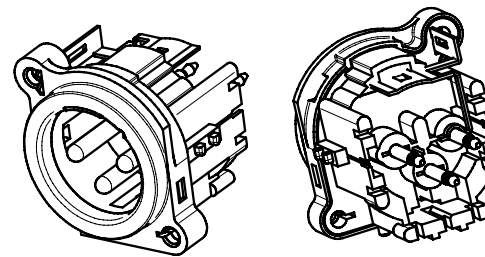


**PCB LAYOUT**  
TOLERANCE:  $\pm 0.05$  [ $\pm .002$ ]



**PANEL CUT OUT**  
**REAR VIEW**



**3D VIEW (1:1)**

NOTES: DIMENSIONS IN PARENTHESES ARE IN INCHES.

UNLESS OTHERWISE SPECIFIED TOLERANCE TO BE:		THIS DOCUMENT IS THE PROPERTY OF AMPHENOL AUSTRALIA PTY. LTD. NO PART THEREOF MAY BE REPRODUCED AND USED WITHOUT THE PRIOR WRITTEN CONSENT OF THE OWNER			
LINEAR	ANGULAR	CAD FILE: <b>55010483000210</b>	DRN: T.N	DATE: 04/09/07	TITLE: <b>XLR MALE B TYPE CONNECTOR CUSTOMER DWG</b>
X ±0.5	X° ±1		CKD: P.M	DATE: 06/09/07	
X.X ±0.1	X.X° ±30°		APP'D: P.M	DATE: 06/09/07	
X.XX ±0.05	X.XX° ±15°	DO NOT SCALE	FINISH:	SCALE: <b>1.5:1</b>	PART No: <b>AC3MBV1-AU</b>
BREAK ALL SHARP EDGES AND REMOVE ALL BURRS		DIMENSIONS IN MILLIMETRES		THIRD ANGLE PROJECTION	SIZE: <b>A4</b>

0	FIRST ISSUE	03/09/07	T.N	8686
REV	DESCRIPTION	DATE	BY	CHG No
REVISION HISTORY				
DRAWING NO. <b>55010483-000-2</b>		SHEET <b>2/2</b>		

**Amphenol**

Amphenol Australia Pty.Ltd. 2 Fiveways Blvd, Keysborough, Vic3173