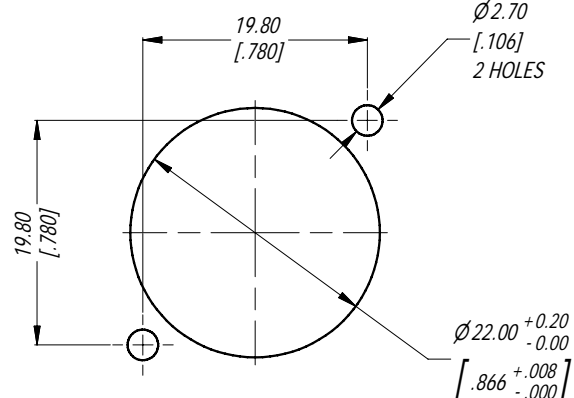
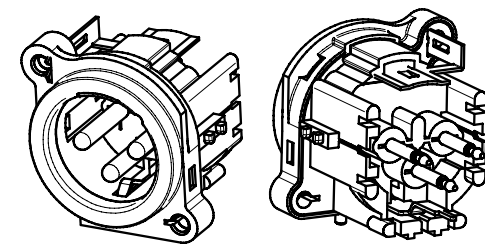


**PCB LAYOUT**

TOLERANCE: ± 0.05 [± .002]



**PANEL CUT OUT REAR VIEW**



**3D VIEW (1:1)**

NOTES: DIMENSIONS IN PARENTHESES ARE IN INCHES.

UNLESS OTHERWISE SPECIFIED TOLERANCE TO BE:		THIS DOCUMENT IS THE PROPERTY OF AMPHENOL AUSTRALIA PTY. LTD. NO PART THEREOF MAY BE REPRODUCED AND USED WITHOUT THE PRIOR WRITTEN CONSENT OF THE OWNER			
LINEAR	ANGULAR	CAD FILE: <b>55010484000210</b> DRN: T.N DATE: 04/09/07			
X ± 0.5	X° ± 1				
X.X ± 0.1	X.X° ± 30°				
X.XX ± 0.05	X.XX° ± 15°	MATERIAL: MATL:		DATE: 06/09/07	
BREAK ALL SHARP EDGES AND REMOVE ALL BURRS		APP'D: P.M		DATE: 06/09/07	
DO NOT SCALE		FINISH:		SCALE: <b>1.5:1</b>	
DIMENSIONS IN MILLIMETRES		THIRD ANGLE PROJECTION		PART No: <b>AC3MBV2-AU</b>	

0	FIRST ISSUE	03/09/07	T.N	8686
REV	DESCRIPTION	DATE	BY	CHG No
REVISION HISTORY				
TITLE:		<b>Amphenol</b> Amphenol Australia Pty.Ltd. 2 Fiveways Blvd, Keysborough, Vic3173		
<b>XLR MALE B TYPE CONNECTOR CUSTOMER DWG</b>				
DRAWING NO. <b>55010484-000-2</b>		SHEET <b>2/2</b>		