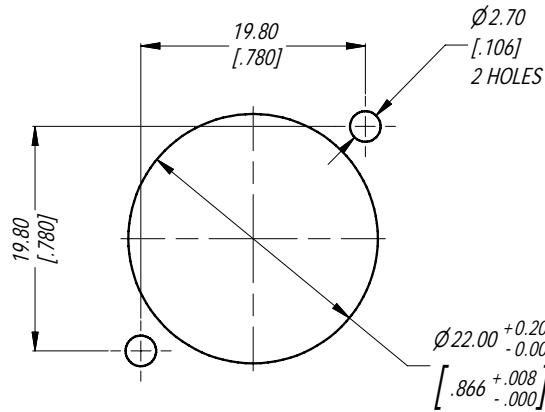
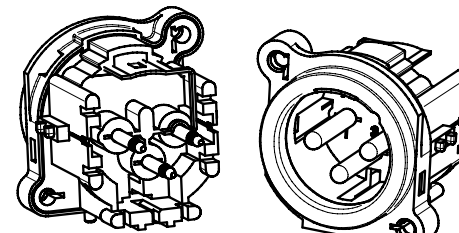


**PCB LAYOUT**

TOLERANCE:  $\pm 0.05$  [ $\pm .002$ ]



**PANEL CUT OUT  
REAR VIEW**



**3D VIEW (1:1)**



NOTES: DIMENSIONS IN PARENTHESES ARE IN INCHES.

|  |            |
|--|------------|
| UNLESS OTHERWISE SPECIFIED<br>TOLERANCE TO BE: |            |
| LINEAR   | ANGULAR    |
| X ±0.5   | X° ±1      |
| X.X ±0.1                                       | X.X° ±30°  |
| X.XX ±0.05                                     | X.XX° ±15° |

THIS DOCUMENT IS THE PROPERTY OF AMPHENOL AUSTRALIA PTY. LTD.  
NO PART THEREOF MAY BE REPRODUCED AND USED  
WITHOUT THE PRIOR WRITTEN CONSENT OF THE OWNER

CAD FILE: 55010485000210

DRN: T.N DATE: 04/09/07

CKD: P.M DATE: 06/09/07

APP'D: P.M DATE: 06/09/07

BREAK ALL SHARP EDGES  
AND REMOVE ALL BURRS

MATL:

FINISH:

DO NOT SCALE

DIMENSIONS IN MILLIMETRES

THIRD ANGLE  
PROJECTION

SCALE: 1.5:1

PART No:

TITLE:  
**XLR MALE  
B TYPE CONNECTOR  
CUSTOMER DWG**

**Amphenol**

Amphenol Australia Pty.Ltd. 2 Fiveways Blvd. Keysborough, Vic3173

DRAWING NO. SHEET

55010485-000-2 2/2

|                  |             |          |     |        |
|------------------|-------------|----------|-----|--------|
| 0                | FIRST ISSUE | 03/09/07 | T.N | 8686   |
| REV              | DESCRIPTION | DATE     | BY  | CHG No |
| REVISION HISTORY |             |          |     |        |

SIZE: A4

AC3MBV3-AU