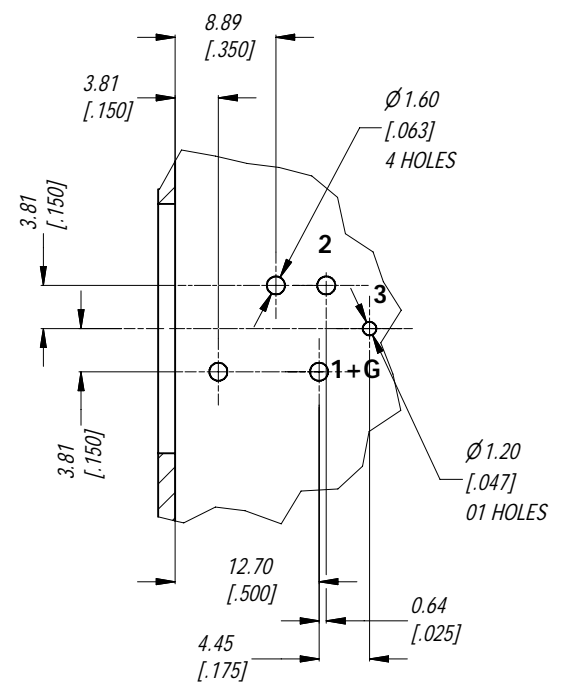


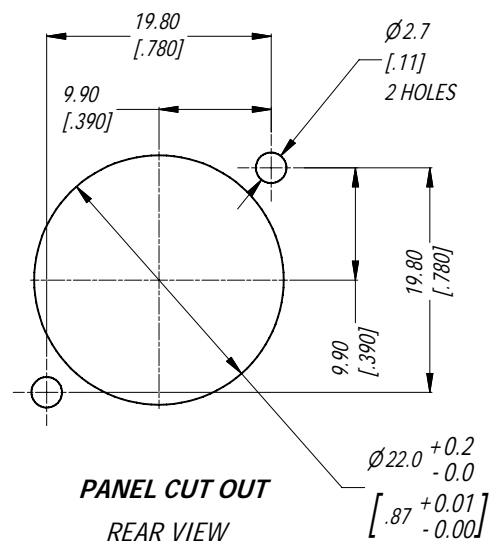
MIN MOUNTING PITCH (1:1)



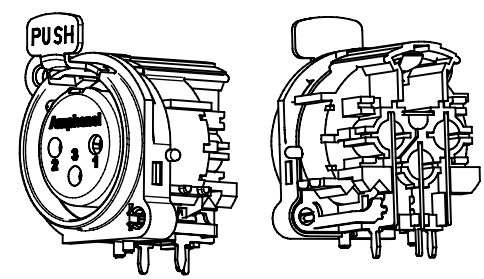
PCB LAYOUT

LAYOUT TOLERANCE : ±0.05 [0.002 in]

NOTE: DIMENSIONS IN PARENTHESES ARE IN INCHES.



PANEL CUT OUT REAR VIEW



3D VIEW (1:1)

UNLESS OTHERWISE SPECIFIED TOLERANCE TO BE:		THIS DOCUMENT IS THE PROPERTY OF AMPHENOL AUSTRALIA PTY. LTD. NO PART THEREOF MAY BE REPRODUCED AND USED WITHOUT THE PRIOR WRITTEN CONSENT OF THE OWNER			
LINEAR		CAD FILE: 55010488000210			
ANGULAR		DRN: T.N		DATE: 17/04/07	
X ±	X' ± 1	CKD: P.M		DATE: 24/04/07	
X.X ±	X.X' ± 30°	APP'D: P.M		DATE: 24/04/07	
X.XX ±	X.X'X' ± 15°	DO NOT SCALE FINISH:			
BREAK ALL SHARP EDGES AND REMOVE ALL BURRS		MATERIAL:			
DIMENSIONS IN MILLIMETRES		SCALE: 3:2		PART No: AC3FBH3-AU	
THIRD ANGLE PROJECTION		SIZE: A4			

0	FIRST ISSUE	18/09/07	T.N	8686
REV	DESCRIPTION	DATE	BY	CHG NO
REVISION HISTORY				
TITLE:		Amphenol		
XLR FEMALE B TYPE CONNECTOR CUSTOMER DWG		Amphenol Australia Pty.Ltd. 2 Fiveways Blvd, Keysborough, Vic3173		
DRAWING NO. 55010488-000-2		SHEET 2/2		