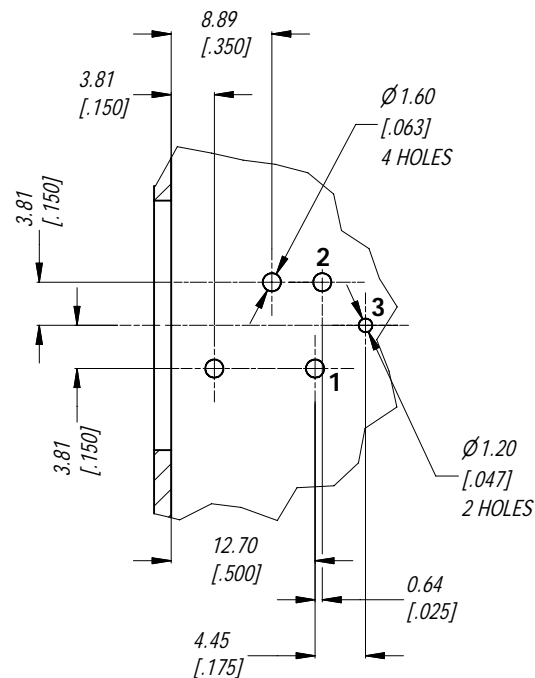
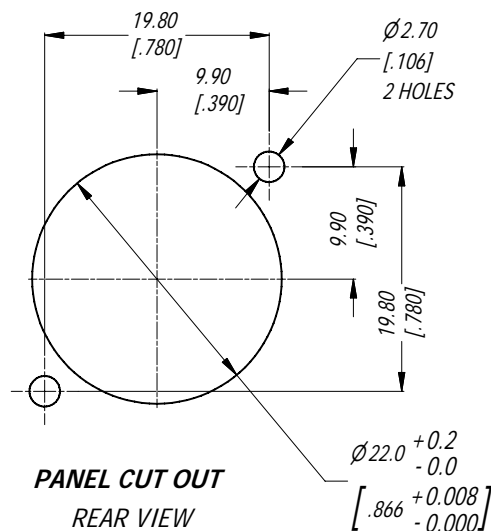


MIN MOUNTING PITCH (1:1)

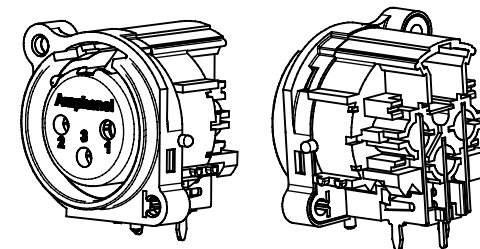


PCB LAYOUT
TOLERANCE : ±0.05 [.002 in]

NOTE: DIMS IN PARENTHESES ARE IN INCHES



PANEL CUT OUT
REAR VIEW



3D VIEW (1:1)



UNLESS OTHERWISE SPECIFIED TOLERANCE TO BE:		THIS DOCUMENT IS THE PROPERTY OF AMPHENOL AUSTRALIA PTY. LTD. NO PART THEREOF MAY BE REPRODUCED AND USED WITHOUT THE PRIOR WRITTEN CONSENT OF THE OWNER			
LINEAR		ANGULAR		CAD FILE: 55010489000210	
X ±	X' ± 1	X' ± 30°	X'X' ± 15°	DRN: T.N	DATE: 17/04/07
BREAK ALL SHARP EDGES AND REMOVE ALL BURRS		MATERIAL:		CKD: P.M	DATE: 24/04/07
DO NOT SCALE		FINISH:		APP'D: P.M	DATE: 24/04/07
DIMENSIONS IN MILLIMETRES		THIRD ANGLE PROJECTION		SCALE: 3:2	PART No: AC3FBHL-AU

0	FIRST ISSUE	18/04/07	T.N	8686
REV	DESCRIPTION	DATE	BY	CHG NO
REVISION HISTORY				
TITLE:		Amphenol		
XLR FEMALE B TYPE CONNECTOR CUSTOMER DWG		Amphenol Australia Pty.Ltd. 2 Fiveways Blvd, Keysborough, Vic3173		
DRAWING NO. 55010489-000-2		SHEET 2/2		