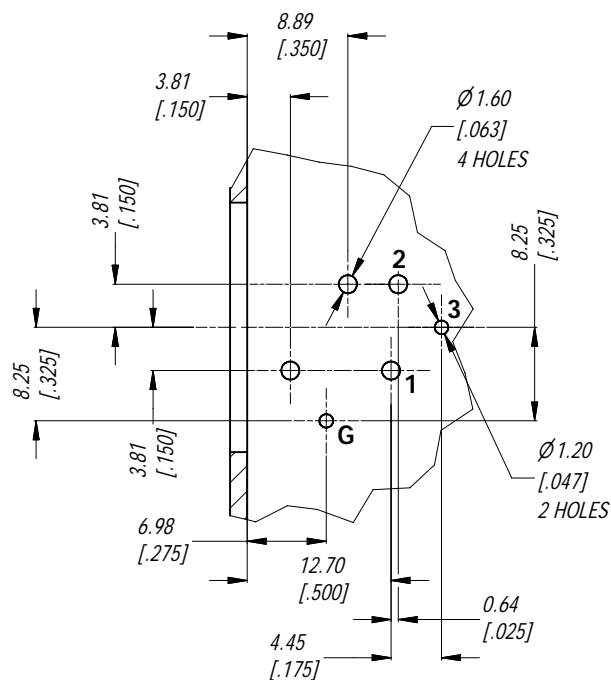
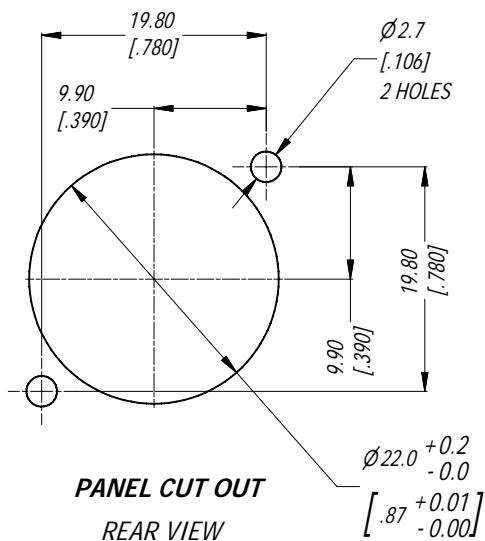


MIN MOUNTING PITCH (1:1)

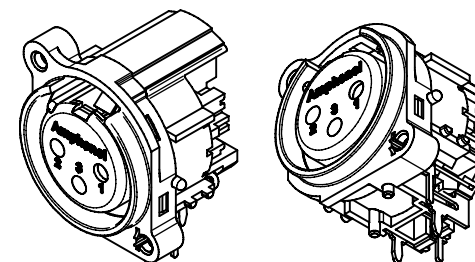


PCB LAYOUT
LAYOUT TOLERANCE : ±0.05 [0.002 in]

NOTE: DIMENSIONS IN PARENTHESES ARE IN INCHES.



PANEL CUT OUT
REAR VIEW



3D VIEW (1:1)

UNLESS OTHERWISE SPECIFIED TOLERANCE TO BE:		THIS DOCUMENT IS THE PROPERTY OF AMPHENOL AUSTRALIA PTY. LTD. NO PART THEREOF MAY BE REPRODUCED AND USED WITHOUT THE PRIOR WRITTEN CONSENT OF THE OWNER			
LINEAR	ANGULAR	CAD FILE: 55010491000210			
X ±	X' ± 1				
X.X ±	X.X' ± 30°	DRN: T.N	DATE: 17/04/07	TITLE: XLR FEMALE B TYPE CONNECTOR CUSTOMER DWG	
X.XX ±	X.X'X' ± 15°	CKD: P.M	DATE: 24/04/07		
BREAK ALL SHARP EDGES AND REMOVE ALL BURRS		MATL:	APP'D: P.M	DATE: 24/04/07	DRAWING NO. 55010491-000-2
DO NOT SCALE		FINISH:	SCALE: 3:2	SIZE: A4	
DIMENSIONS IN MILLIMETRES		THIRD ANGLE PROJECTION		PART No: AC3FBHL2-AU	SHEET 2/2

0	FIRST ISSUE	18/09/07	T.N	8686
REV	DESCRIPTION	DATE	BY	CHG NO
REVISION HISTORY				

Amphenol

Amphenol Australia Pty.Ltd. 2 Fiveways Blvd, Keysborough, Vic3173

DRAWING NO. **55010491-000-2** SHEET **2/2**