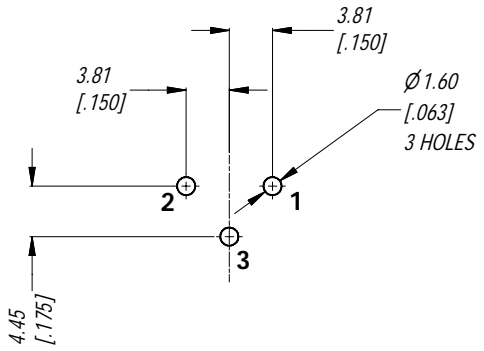
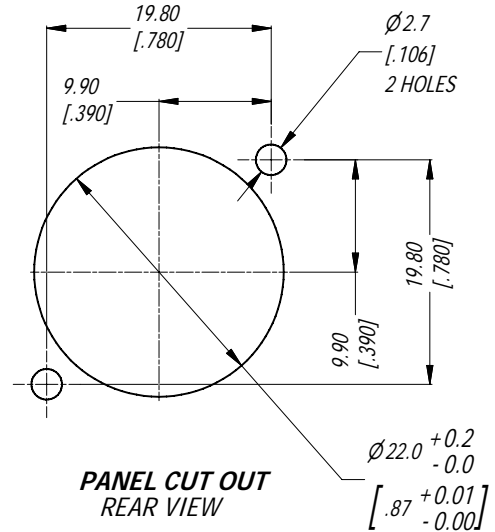


MIN MOUNTING PITCH (1:1)

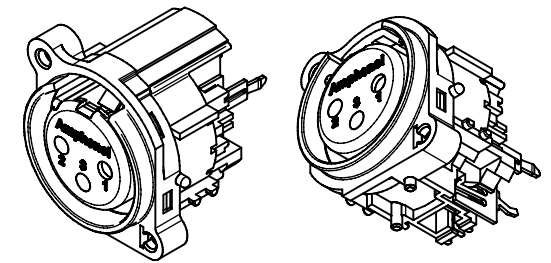


PCB LAYOUT

LAYOUT TOLERANCE : ±0.05 [±.002 in]



PANEL CUT OUT REAR VIEW



3D VIEW (1:1)

NOTE: DIMENSIONS IN PARENTHESES ARE IN INCHES.

UNLESS OTHERWISE SPECIFIED TOLERANCE TO BE:		THIS DOCUMENT IS THE PROPERTY OF AMPHENOL AUSTRALIA PTY. LTD. NO PART THEREOF MAY BE REPRODUCED AND USED WITHOUT THE PRIOR WRITTEN CONSENT OF THE OWNER			
LINEAR		CAD FILE: 55010495000210			
ANGULAR		DRN: T.N	DATE: 17/04/07	TITLE:	
X ±	X' ± 1	CKD: P.M	DATE: 24/05/07	XLR FEMALE B TYPE CONNECTOR CUSTOMER DWG	
X.X ±	X.X' ± 30°	APP'D: P.M	DATE: 24/05/07		
X.XX ±	X.X.X' ± 15°	DO NOT SCALE FINISH:		DRAWING NO. 55010495-000-2	
DIMENSIONS IN MILLIMETRES		SCALE: 3:2		PART No: AC3FBVL-AU	SHEET 2/2

0	FIRST ISSUE	03/09/07	T.N	8686
REV	DESCRIPTION	DATE	BY	CHG NO
REVISION HISTORY				
Amphenol				
Amphenol Australia Pty.Ltd. 2 Fiveways Blvd. Keysborough, Vic.3173				

Amphenol Australia Pty.Ltd. 2 Fiveways Blvd. Keysborough, Vic.3173

DRAWING NO. **55010495-000-2** SHEET **2/2**