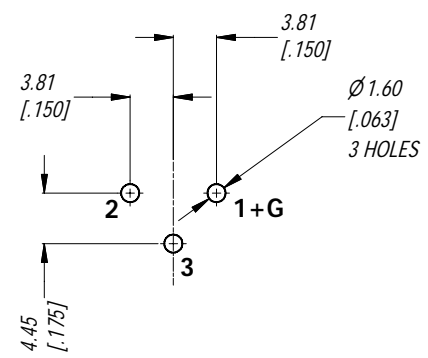
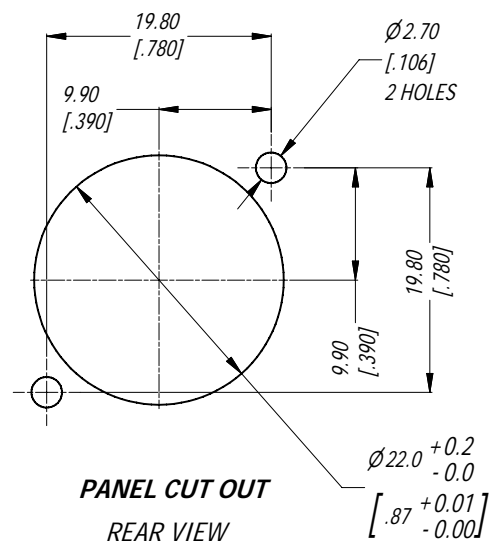


MIN MOUNTING PITCH (1:1)

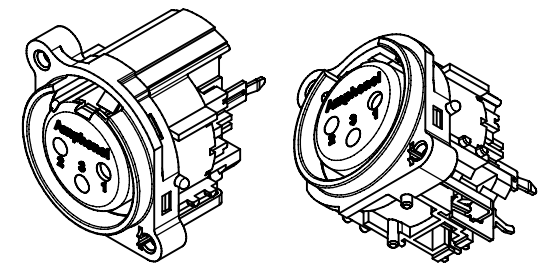


**PCB LAYOUT**

LAYOUT TOLERANCE : ±0.05 [0.002 in]



**PANEL CUT OUT  
REAR VIEW**



**3D VIEW (1:1)**

NOTE: DIMENSIONS IN PARENTHESES ARE IN INCHES.

|   |              |   |            |                          |            |                      |   |                            |  |           |
|---|--------------|---|------------|--------------------------|------------|----------------------|---|----------------------------|--|-----------|
| UNLESS OTHERWISE SPECIFIED TOLERANCE TO BE: |              | THIS DOCUMENT IS THE PROPERTY OF AMPHENOL AUSTRALIA PTY. LTD. NO PART THEREOF MAY BE REPRODUCED AND USED WITHOUT THE PRIOR WRITTEN CONSENT OF THE OWNER |            |                          |            | REVISION HISTORY     |   |                            |  |           |
| LINEAR                                      |              | ANGULAR   |            | CAD FILE: 55010498000210 | DRN: T.N   | DATE: 17/04/07       | TITLE:  |                            |  |           |
| X ±   | X' ± 1       | X.X ±   | X.X' ± 30° | MATL:                    | CKD: P.M   | DATE: 05/09/07       | <b>XLR FEMALE<br/>B TYPE CONNECTOR<br/>CUSTOMER DWG</b> |                            |  |           |
| X.XX ±                                      | X.X'X' ± 15° | BREAK ALL SHARP EDGES AND REMOVE ALL BURRS  |            | FINISH:                  | APP'D: P.M | DATE: 05/09/07       |   |                            |  |           |
| DO NOT SCALE                                |              | DIMENSIONS IN MILLIMETRES   |            | THIRD ANGLE PROJECTION   | SCALE: 3:2 | PART No: AC3FBVL3-AU | SIZE: A4  | DRAWING NO. 55010498-000-2 |  | SHEET 2/2 |

**Amphenol**  
Amphenol Australia Pty.Ltd. 2 Fiveways Blvd, Keysborough, Vic3173