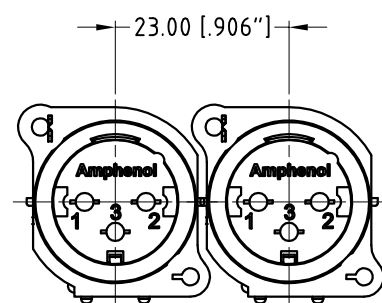
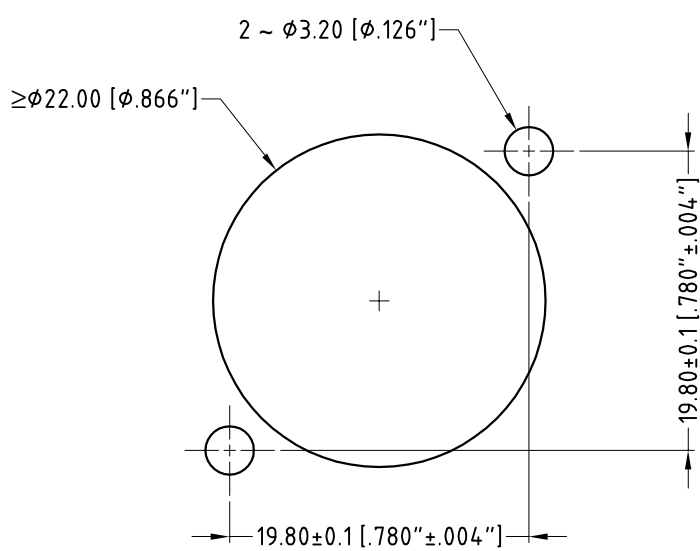


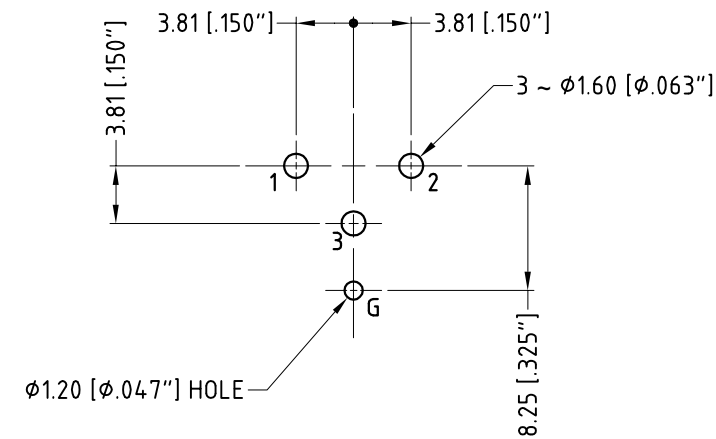
ISO VIEW
SCALE 1:1



MIN MOUNTING PITCH
SCALE 1:1



PANEL CUT OUT
REAR VIEW



PCB - LAYOUT
COMPONENT SIDE
TOLERANCE; ±0.05mm [.002\"/>

UNLESS OTHERWISE SPECIFIED TOLERANCE TO BE	
LINEAR	ANGULAR
X ± 0.5	X° ± 1°
XX ± 0.1	X°X' ± 30'
XXX ± 0.05	X°X'X'' ± 15'

THIS DOCUMENT IS THE PROPERTY OF AMPHENOL AUSTRALIA PTY. LTD.. NO PART THEREOF MAY BE REPRODUCED AND USED WITHOUT THE PRIOR WRITTEN CONSENT OF THE OWNER

CAD FILE: 55010059000221	DRN: L.V	DATE: 27-03-01
MATL: REFER TO COMPONENT	CKD: M.N.H	DATE: 20-06-03
FINISH: REFER TO COMPONENT	APP'D: P.M	DATE: 30-06-03
DIMENSIONS IN MILLIMETRES	SCALE: 2:1 UOS	PART No: 55010059-000

1	UPDATE FROM CUSTOMER DRAWING ADD PAGE 1 OF 2 FOR ASSEMBLY DRAWING	L.V	12-06-03	8185
0	FIRST ISSUE	L.V	27-03-01	----
REV.	CHANGE DETAILS	BY	DATE	CHG/No

AC3MAV2 A-TYPE VERTICAL MALE CUSTOMER DRAWING

Amphenol
Amphenol Australia Pty.Ltd, 2 Fiveways Blvd, Keysborough, Vic3173

DRAWING NO. 55010059-000-2 SHEET 2 OF 2