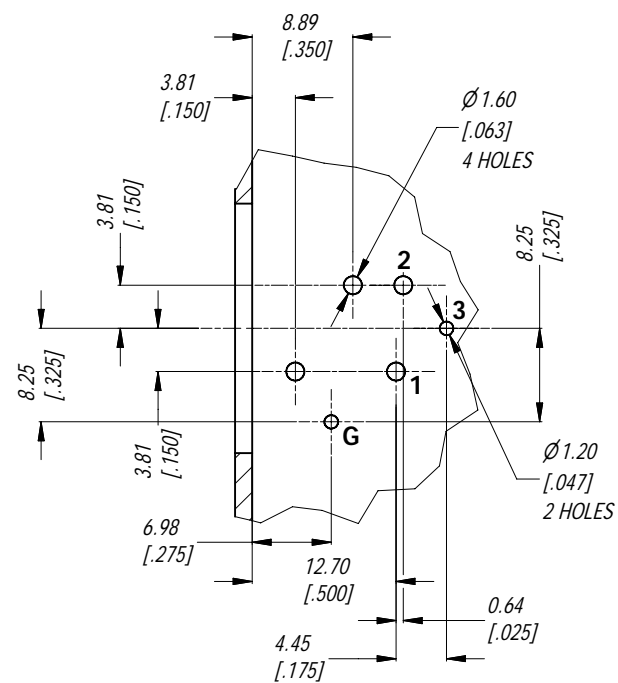
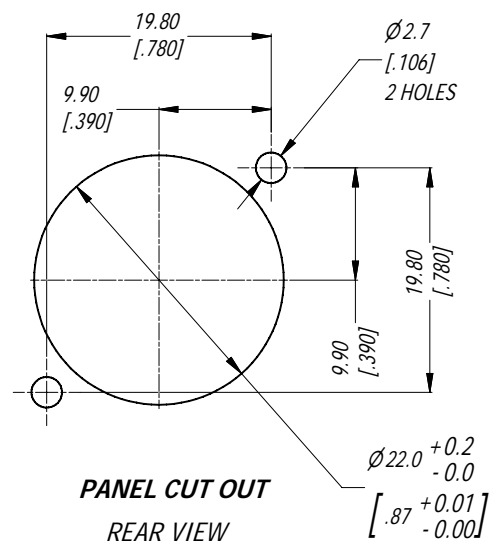


MIN MOUNTING PITCH (1:1)

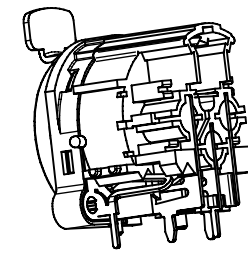
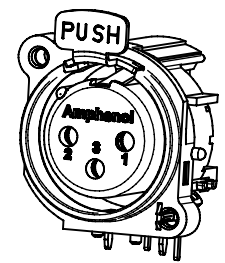


PCB LAYOUT
LAYOUT TOLERANCE : ± 0.05 [0.002 in]

NOTE: DIMENSIONS IN PARENTHESES ARE IN INCHES.



PANEL CUT OUT
REAR VIEW



3D VIEW (1:1)

UNLESS OTHERWISE SPECIFIED TOLERANCE TO BE:		THIS DOCUMENT IS THE PROPERTY OF AMPHENOL AUSTRALIA PTY. LTD. NO PART THEREOF MAY BE REPRODUCED AND USED WITHOUT THE PRIOR WRITTEN CONSENT OF THE OWNER				0 FIRST ISSUE		18/04/07		T.N 8686	
LINEAR		ANGULAR		CAD FILE: 55010415000210		DRN: T.N		DATE: 17/04/07		REV DESCRIPTION	
X ±	X' ± 1	X' ± 30°	X'X' ± 15°	MATERIAL:		CKD: P.M		DATE: 24/04/07		REVISION HISTORY	
BREAK ALL SHARP EDGES AND REMOVE ALL BURRS		DO NOT SCALE		FINISH:		APP'D: P.M		DATE: 24/04/07		TITLE:	
DIMENSIONS IN MILLIMETRES				THIRD ANGLE PROJECTION		SCALE: 3:2		PART No: AC3FBH2-AU		SIZE: A4	
XLR FEMALE B TYPE CONNECTOR CUSTOMER DWG										Amphenol Australia Pty.Ltd. 2 Fiveways Blvd, Keysborough, Vic3173	
DRAWING NO. 55010415-000-2										SHEET 2/2	