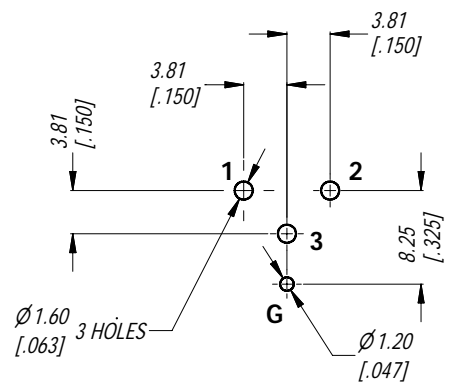
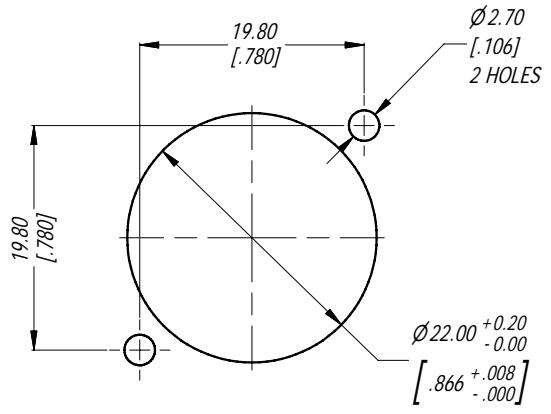


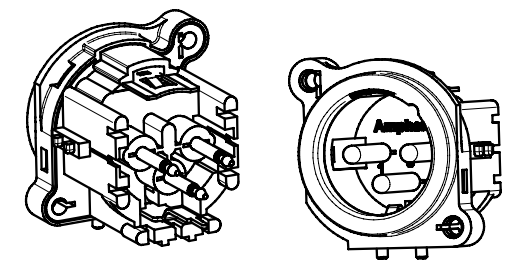
MIN MOUNTING PITCH (1:1)



PCB LAYOUT
TOLERANCE: ± 0.05 [± .002]



PANEL CUT OUT
REAR VIEW



3D VIEW (1:1)

NOTE: DIMENSIONS IN PARENTHESES ARE IN INCHES.

UNLESS OTHERWISE SPECIFIED TOLERANCE TO BE:		THIS DOCUMENT IS THE PROPERTY OF AMPHENOL AUSTRALIA PTY. LTD. NO PART THEREOF MAY BE REPRODUCED AND USED WITHOUT THE PRIOR WRITTEN CONSENT OF THE OWNER				0	FIRST ISSUE	03/09/07	T.N	8686
LINEAR	ANGULAR					REV	DESCRIPTION	DATE	BY	CHG No
X ±0.5	X° ±1					REVISION HISTORY				
X.X ±0.1	X.X° ±30°	CAD FILE: 55010466000210	DRN: T.N	DATE: 04/09/07	TITLE: XLR MALE B TYPE CONNECTOR CUSTOMER DWG					
X.XX ±0.05	X.XX° ±15°	BREAK ALL SHARP EDGES AND REMOVE ALL BURRS	MATL:	CKD: P.M	DATE: 06/09/07	Amphenol				
DO NOT SCALE		FINISH:	APP'D: P.M	DATE: 06/09/07	Amphenol Australia Pty.Ltd. 2 Fiveways Blvd, Keysborough, Vic3173					
DIMENSIONS IN MILLIMETRES		THIRD ANGLE PROJECTION	SCALE: 1.5:1	PART No:	AC3MBV-AU	SIZE: A4	DRAWING NO.	SHEET		
							55010466-000-2	2/2		