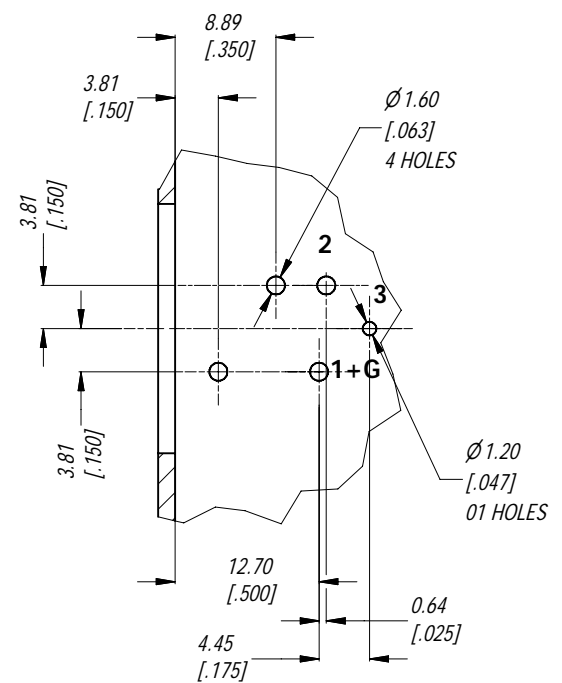


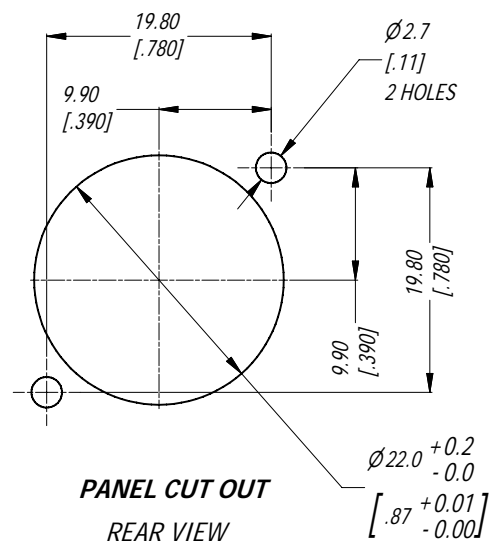
MIN MOUNTING PITCH (1:1)



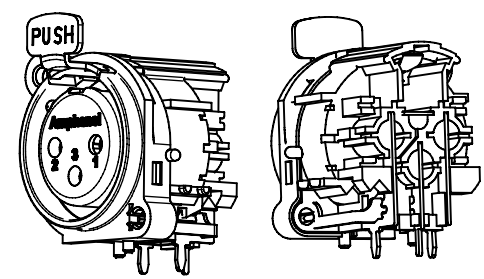
PCB LAYOUT

LAYOUT TOLERANCE : ±0.05 [0.002 in]

NOTE: DIMENSIONS IN PARENTHESES ARE IN INCHES.



PANEL CUT OUT REAR VIEW



3D VIEW (1:1)

UNLESS OTHERWISE SPECIFIED TOLERANCE TO BE:		THIS DOCUMENT IS THE PROPERTY OF AMPHENOL AUSTRALIA PTY. LTD. NO PART THEREOF MAY BE REPRODUCED AND USED WITHOUT THE PRIOR WRITTEN CONSENT OF THE OWNER				0	FIRST ISSUE	18/09/07	T.N	8686
LINEAR		ANGULAR		CAD FILE: 55010488000210		REV	DESCRIPTION	DATE	BY	CHG NO
X ±	X' ± 1	X' ± 30°	X'X' ± 15°	DRN: T.N	DATE: 17/04/07	REVISION HISTORY				
BREAK ALL SHARP EDGES AND REMOVE ALL BURRS		MATL:		CKD: P.M	DATE: 24/04/07	TITLE:		Amphenol		
DO NOT SCALE		FINISH:		APP'D: P.M	DATE: 24/04/07	XLR FEMALE B TYPE CONNECTOR CUSTOMER DWG		Amphenol Australia Pty.Ltd. 2 Fiveways Blvd, Keysborough, Vic3173		
DIMENSIONS IN MILLIMETRES		THIRD ANGLE PROJECTION		SCALE: 3:2	PART No:	AC3FBH3-AU		SIZE: A4	DRAWING NO. 55010488-000-2	SHEET 2/2