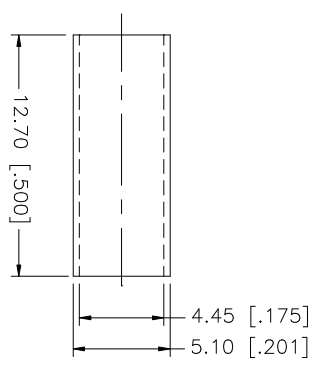
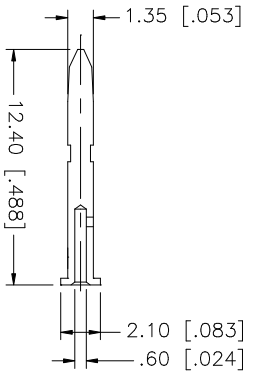
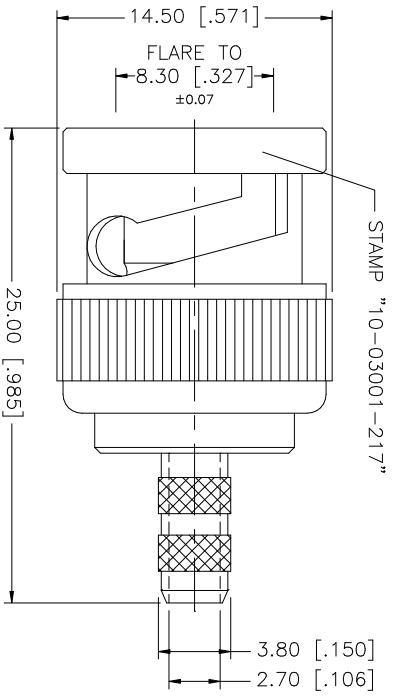
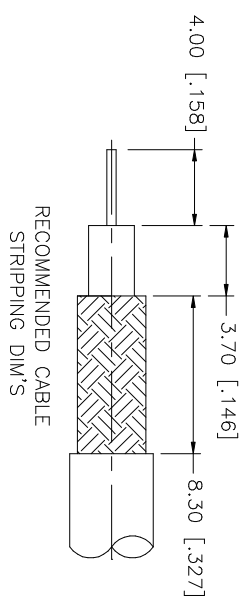


REV.	DATE	DESCRIPTION
A	04/05/03	UPDATE DRAWING FORMAT



NO.	DESCRIPTION	MATERIAL	FINISH	QTY	UNLESS OTHERWISE SPECIFIED DIMENSIONS ARE IN MILLIMETERS. DIMENSIONS IN [] ARE IN INCHES AND FOR CUSTOMER REFERENCE ONLY. TOLERANCES FOR MILLIMETERS ARE:	APPROVALS	DATE	PART DESCRIPTION	
8					0.5 - 8mm ± 0.20mm	UNLESS OTHERWISE SPECIFIED DIMENSIONS ARE IN MILLIMETERS. DIMENSIONS IN [] ARE IN INCHES AND FOR CUSTOMER REFERENCE ONLY. TOLERANCES FOR MILLIMETERS ARE: 0.5 - 8mm ± 0.20mm 8 - 30mm ± 0.40mm 30 - 120mm ± 0.50mm UNLESS OTHERWISE SPECIFIED DIMENSIONS FOR INCHES ARE: .020 - .315 = ± 0.007" .315 - 1.180 = ± 0.015" 1.180 - 4.724 = ± 0.020" DO NOT SCALE DRAWING		Amphenol Connex BNC CRIMP PLUG (BELDEN 8218/VFM 809/1407B/1167B-75ohms)	
7									
6									
5	FERRULE	BRASS	NICKEL	1			DRAWN		G.R.S.
4	GASKET	RUBBER	RED	1		CHECKED			
3	INSULATOR	TEFLON	NATURAL	1		ISSUED			
2	CONTACT PIN	BRASS	GOLD	1		SHEET	1 OF 1		
1	SHELL/BODY	BRASS	NICKEL	1					
	DESCRIPTION								

CAD FILE	DWG. NO.	REV.	SIZE	SCALE
C:/112/112955.DWG	112955.DWG	A	A	NA