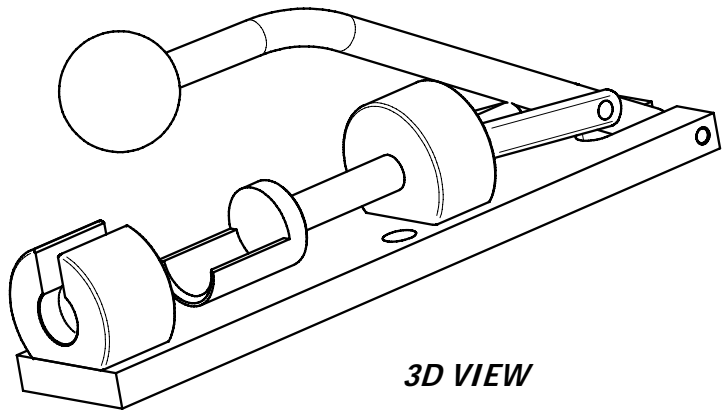
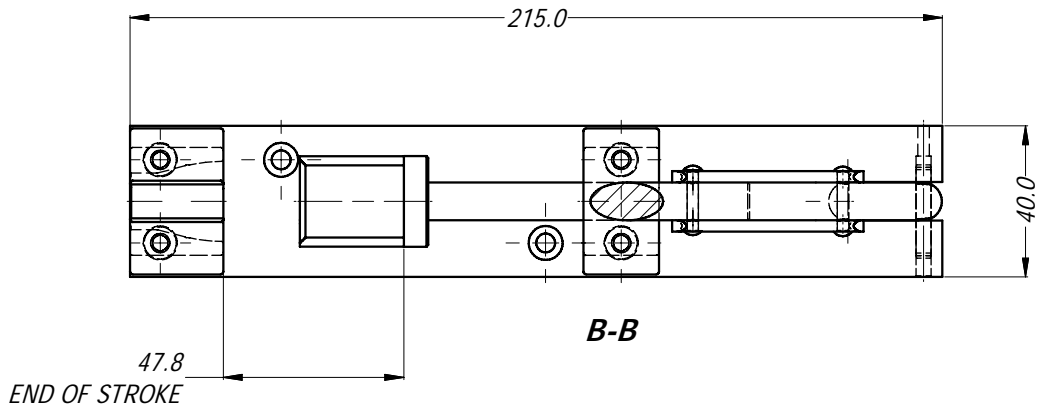
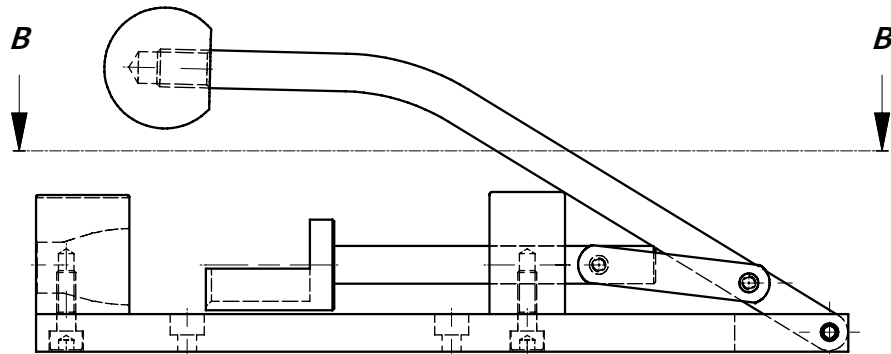


REVISION HISTORY				
REV	DESCRIPTION	DATE	BY	CHG No
0	FIRST ISSUE	03/04/09	B.Z	8815



3D VIEW



UNLESS OTHERWISE SPECIFIED TOLERANCE TO BE		THIS DOCUMENT IS THE PROPERTY OF AMPHENOL AUSTRALIA PTY. LTD. NO PART THEREOF MAY BE REPRODUCED AND USED WITHOUT THE PRIOR WRITTEN CONSENT OF THE OWNER				Amphenol Amphenol Australia Pty.Ltd, 2 Fiveways Blvd, Keysborough, VIC 3173									
<table border="1"> <thead> <tr> <th>LINEAR</th> <th>ANGULAR</th> </tr> </thead> <tbody> <tr> <td>X ± 0.5</td> <td>X' ± 1</td> </tr> <tr> <td>X.X ± 0.1</td> <td>X.X' ± 30'</td> </tr> <tr> <td>X.XX ± 0.05</td> <td>X.XX' ± 15'</td> </tr> </tbody> </table>		LINEAR	ANGULAR	X ± 0.5	X' ± 1	X.X ± 0.1	X.X' ± 30'	X.XX ± 0.05	X.XX' ± 15'	MATERIAL: ALUMINUM & STEEL	DRN: B Z	DATE: 12/12/09	TITLE: AX SERIES ASSEMBLY TOOL CUSTOMER DWG		PART No: T2890
LINEAR	ANGULAR														
X ± 0.5	X' ± 1														
X.X ± 0.1	X.X' ± 30'														
X.XX ± 0.05	X.XX' ± 15'														
BREAK ALL SHARP EDGES AND REMOVE ALL BURRS		FINISH: NICKEL PLATE	CKD: P.M	DATE: 12/03/09	DRAWING NO. 52930003-704-2		SHEET 2/2								
DO NOT SCALE		DIMENSIONS IN MILIMETRES	APP'D: P.M	DATE: 12/03/09	CAD FILE: 52930003704211										
			SCALE: 1:2	SIZE: A4											