

1

2

3

4

5

6

A

A

B

B

C

C

D

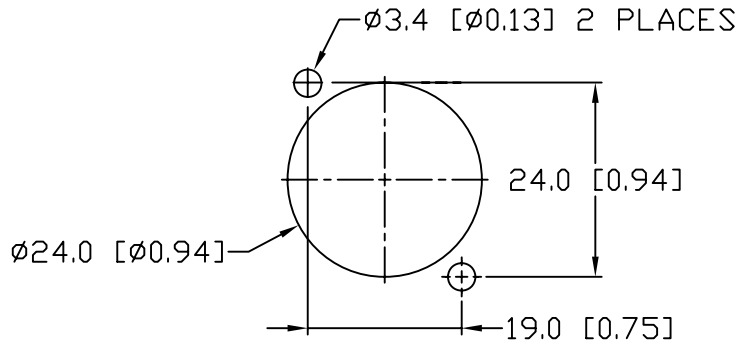
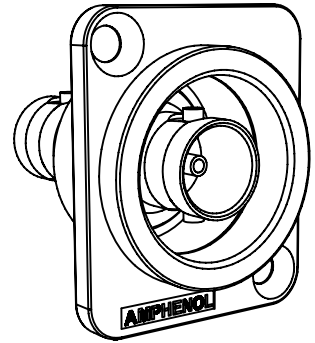
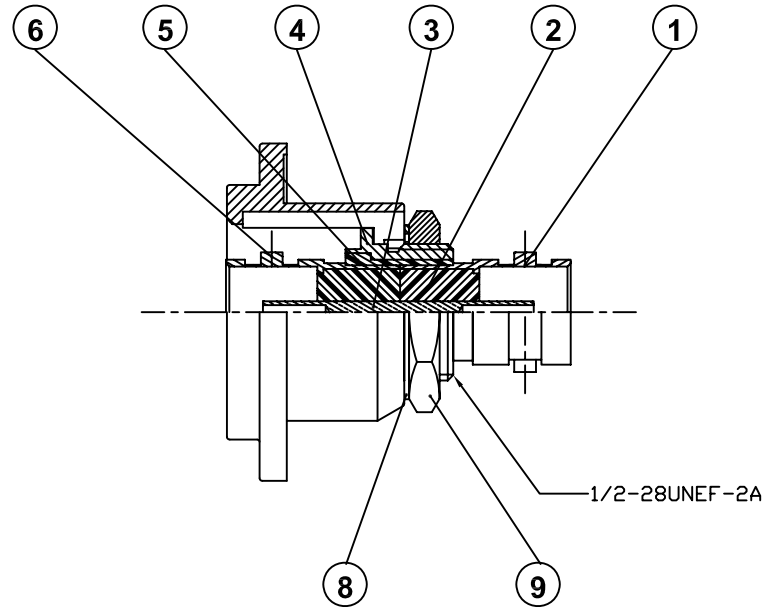
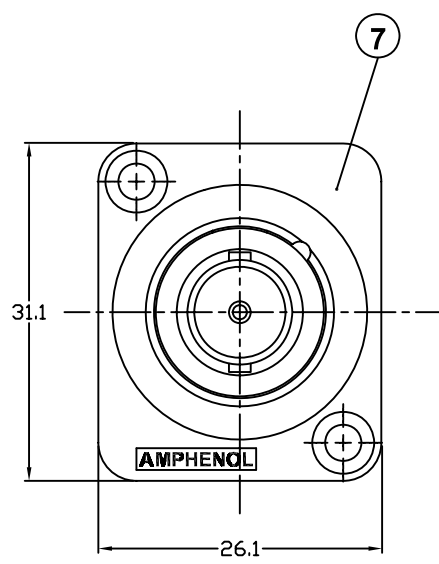
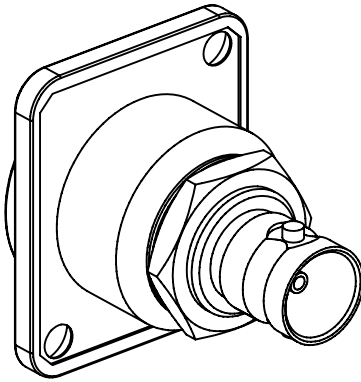
D

E

E

F

F



CATALOGUE P/N	SHELL FINISH
AC-BNC-JJ-75	SATIN NICKEL
AC-BNC-JJ-75B	MATT BLACK

**MOUNTING DETAILS**

(DIMENSIONS IN PARENTHESES ARE IN INCHES)

**NOTE:**

- 1. IMPEDANCY: 75 OHM
- 4. FREQUENCY RANGE: DC-3GHz

ITEM	PART No.	DWG No.	DESCRIPTION	QTY
9	HN16-1/2-28X28	HN16-1/2-28X28	HEX NUT	01
8	LW-16/13X05	LW-16/13X05	LOCK WASHR	01
7	5348001-331	5348001-331-1	SHELL	01
6	87925-5	87925-5	BODY	01
5	87925-4-A	87925-4-A	INSULATOR	01
4	87925-6-C	87925-6-C	HOUSING	01
3	87900-4	87900-4	CONTACT PIN	01
2	87996ZZ-3-57	87996ZZ-3-57	INSULATOR	02
1	87925-1-B	87925-1-B	BODY	01

UNLESS OTHERWISE SPECIFIED TOLERANCE TO BE

LINEAR	ANGULAR
X ± 1	X° ± 1'
X.X ± 0.5	X°X' ± 30"
X.XX ± 0.10	X°X'X" ± 15"

BREAK ALL SHARP EDGES AND REMOVE ALL BURRS

DO NOT SCALE

THIS DOCUMENT IS THE PROPERTY OF AMPHENOL AUSTRALIA PTY. LTD.. NO PART THEREOF MAY BE REPRODUCED AND USED WITHOUT THE PRIOR WRITTEN CONSENT OF THE OWNER

CAD FILE: 55010008000111 DRN: M.H DATE: 07-08-00

MATL: SEE COMPONENT CKD: M.H DATE: 14-07-10

FINISH: SEE TABLE APP'D: M.H DATE: 14-07-10

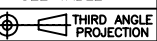
REV.	DESCRIPTION	BY	DATE	CHG/No
1	UPDATE DRAWING WITH CAT P/N AC-BNC-JJ-75/B IMPROVED FREQUENCY RANGE TO 3 GHz	M.H	14-07-10	8922
0	FIRST ISSUE	M.H	07-08-00	----
	CHANGE DETAILS			

AC SERIES  
BNC JACK-JACK  
75 Ohm INSERT

**Amphenol**  
Amphenol Australia Pty Ltd, 2 Freeways Blvd, Keysborough, Vc3173

DRAWING NO. 55010008-000 SHEET 1 OF 1

DIMENSIONS IN MILLIMETRES



SCALE: 2:1

PART No: SEE TABLE

SIZE: A3

55010008-000

1

2

3

4

5

6