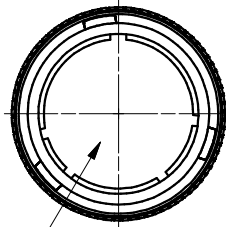
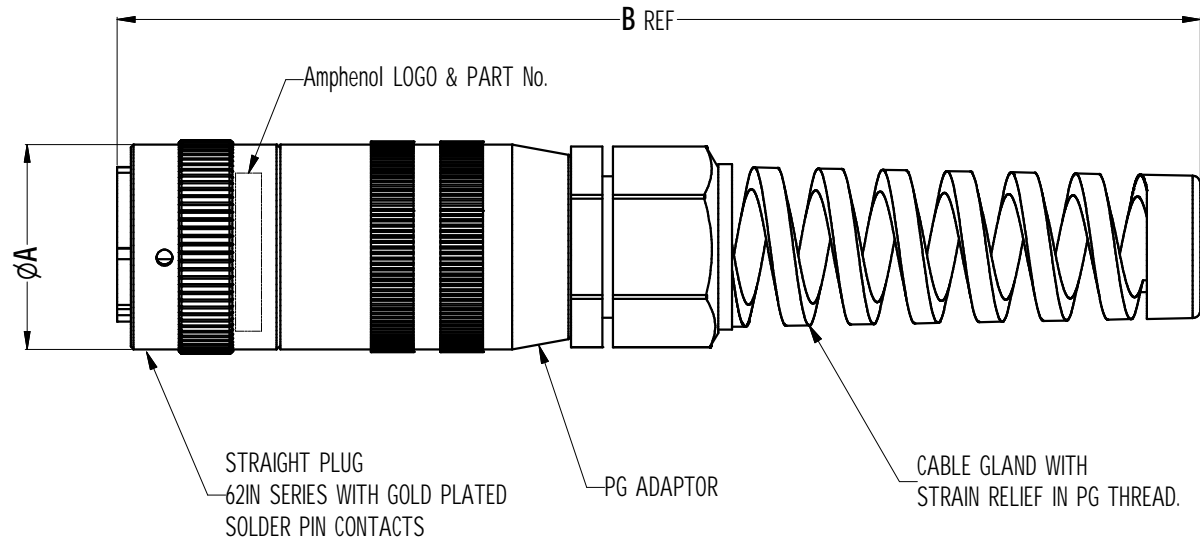


ISOMETRIC VIEW



CONTACTS NOT SHOWN
FOR No. OF CONTACTS REFER TO TABLE



Parts List, Dimensions in mm

ITEM	CATALOGUE P/No	SHELL SIZE	No. OF CONTACT	CABLE GLAND THREAD SIZE	DIA A	LENGTH B
1	MP-6216-39P	20	39	PG16	39.0	181
2	MP-6216-61P	24	61	PG21	45.5	193

NOTES:

1. MATERIAL AND FINISH: DIE CAST ALUMINUM ALLOY, BLACK FINISH
2. SUPPLIED WITH GOLD PLATED SOLDER PIN CONTACTS

CUSTOMER DRAWING

3	CHANGE FINISH TO BLACK COATING	T.N	17/02/06	8478
2	SEE CHANGE NOTE 8422	T.N	09/09/05	8422
1	CHANGE FINISH FROM PLATING TO COATING	L.V	16/04/2004	8277
0	FIRST ISSUE	T.N	06/02/2004	---
REV.	CHANGE DETAILS	BY	DATE	CHG/No

UNLESS OTHERWISE SPECIFIED TOLERANCE TO BE		THIS DOCUMENT IS THE PROPERTY OF AMPHENOL AUSTRALIA PTY. LTD.. NO PART THEREOF MAY BE REPRODUCED AND USED WITHOUT THE PRIOR WRITTEN CONSENT OF THE OWNER			
LINEAR	ANGULAR	CAD FILE: 55010266000213	DRN: T.N	DATE: 06/02/2004	TITLE: STRAIGHT CABLE PLUG WITH PIN CONTACTS
X ± 0.5	X' ± 1	MATL: SEE NOTE 1	CKD: P.M	DATE: 20/02/06	Amphenol Australia Pty.Ltd, 2 Fiveways Blvd, Keaysborough, Vic.3172 DRAWING NO. SHEET
XX ± 0.1	XX' ± 30'	FINISH: SEE NOTE 1	APP'D: P.M	DATE: 20/02/06	
XXX ± 0.05	XXX' ± 15'	DIMENSIONS IN MILLIMETRES		SCALE: PART No: SEE TABLE	SIZE: A4
BREAK ALL SHARP EDGES AND REMOVE ALL BURRS		THIRD ANGLE PROJECTION		55010266-000-2	
DO NOT SCALE				2/2	