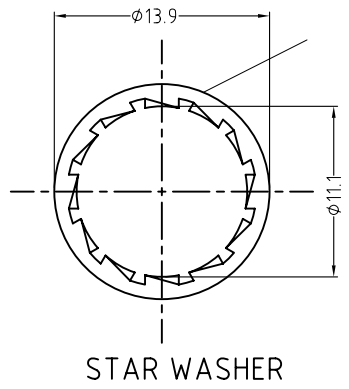
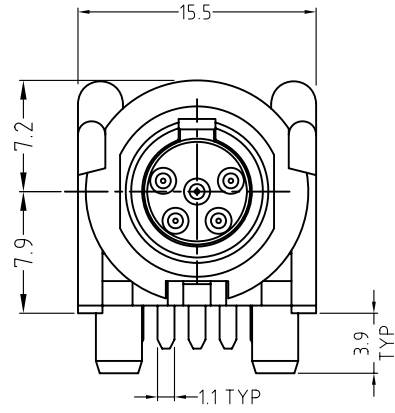
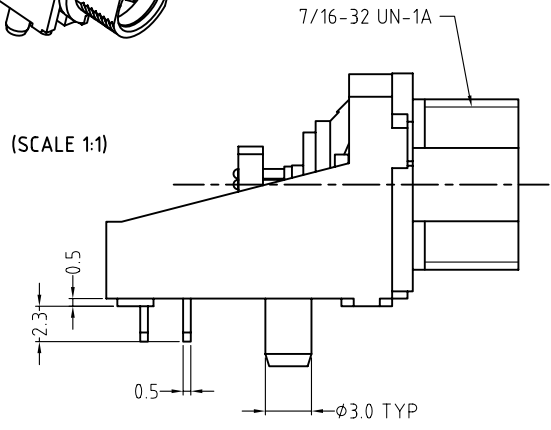
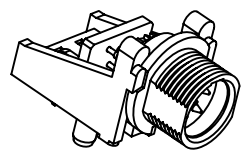
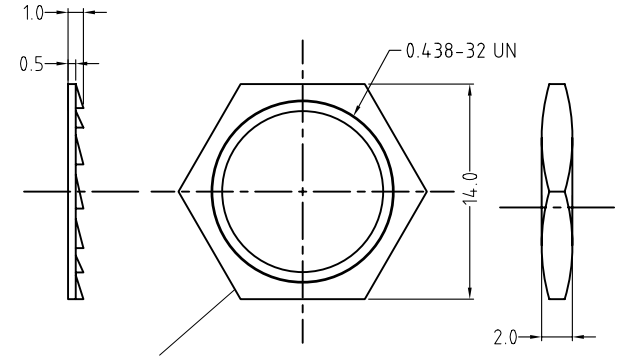


PCB LAYOUT



STAR WASHER



METAL NUT

Specification:
Cont 1

- Notes:
- Part must conform to RoHS compliance
 - Plastic parts conform to UL94 V-0 compliant.

ITEM	MATERIAL	MATERIAL	ITEM
1	CHASSIS	PA+30%GF/BLACK, UL 94 V-0	1
2	CONTACTS	BRASS-GOLD PLATED	5
3	PCB	PRINTED CIRCUIT BOARD	1
4	INSULATOR	PPS/BLACK, UL 94 V-0	1
5	HOUSING	C3604/NICKEL PLATED	1
	CONTACT		5
	CONTACT		1
8	WASHER	BRASS-NICKEL PLATED	1
9	METAL NUT	BRONZE-NICKEL PLATED	1

UNLESS OTHERWISE SPECIFIED TOLERANCE TO BE		THIS DOCUMENT IS THE PROPERTY OF AMPHENOL AUSTRALIA PTY. LTD.. NO PART THEREOF MAY BE REPRODUCED AND USED WITHOUT THE PRIOR WRITTEN CONSENT OF THE OWNER			
LINEAR	ANGULAR	CAD FILE:	DRN:	DATE:	TITLE:
X ± 0.5	X° ± 1°	55010613002111	M.N.H	04-09-09	MINI XLR 5 PIN MALE
X,X ± 0.1	X°X' ± 30'	MATL: SEE NOTES	CKD: M.H.	DATE: 13-11-09	PANEL MOUNT RA PCB
X,XX ± 0.05	X°X'X" ± 15"	DO NOT SCALE	APP'D: M.H.	DATE: 13-11-09	CUSTOMER DRAWING
DIMENSIONS IN MILLIMETRES		FINISH: SEE NOTES	SCALE: 2 : 1	PART No: AG5MCCH	SIZE: A4

1	CHANGE PART NUMBER FROM AGxFL-C TO AGxFL	M.H	13-11-09	8868
0	FIRST ISSUE	M.N.H	04-09-09	----
REV.	CHANGE DETAILS	BY	DATE	CHG/No
DRAWING NO. 55010613-002-1		SHEET 1 OF 1		

Amphenol
Amphenol Australia Pty Ltd, 2 Freeways Blvd, Keysborough, Vic.3173