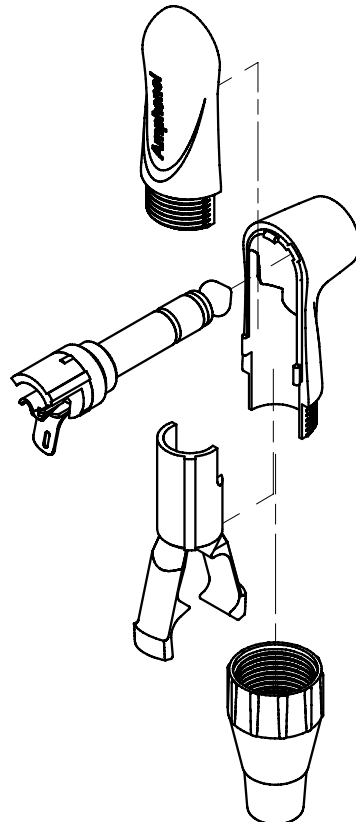
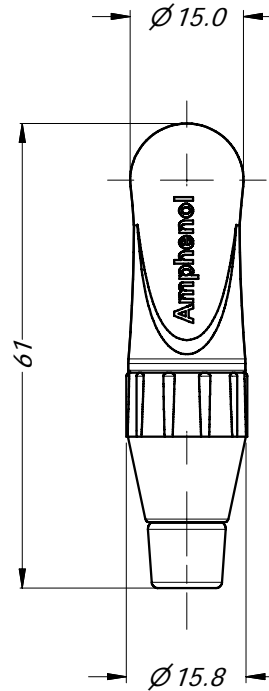
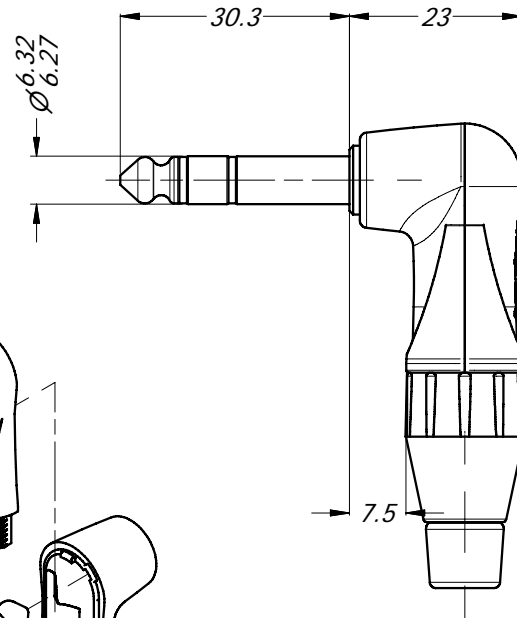
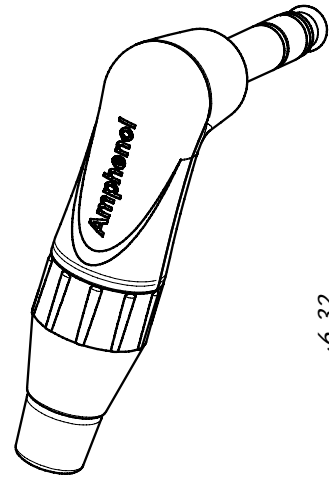


REVISION HISTORY				
REV	DESCRIPTION	BY	DATE	ECN
0	FIRST ISSUE	T.N	11/02/10	8882



PART NUMBER BREAKDOWN

TS3R B J - AU

SERIES DESIGNATION

CONTACT FINISH
BLANK: NICKEL
AU: : GOLD

SHELL FINISH
BLANK: NICKEL
B: : BLACK

CABLE CLAMP SIZE
BLANK: STANDARD
J: : LARGE

NOTES:

- STANDARD JAW CABLE CLAMP (BLACK) USED FOR CABLE OD 3.0 mm TO 5.5mm
LARGE JAW CABLE CLAMP (PURPLE) USED FOR CABLE OD 5.5mm TO 6.5mm.

UNLESS OTHERWISE SPECIFIED TOLERANCE TO BE		THIS DOCUMENT IS THE PROPERTY OF AMPHENOL AUSTRALIA PTY. LTD. NO PART THEREOF MAY BE REPRODUCED AND USED WITHOUT THE PRIOR WRITTEN CONSENT OF THE OWNER		Amphenol Amphenol Australia Pty.Ltd, 2 Fiveways Blvd, Keysborough, VIC 3173	
LINEAR	ANGULAR	MATERIAL:	DRN: A.H	DATE: 26/10/09	TITLE:
X ±0.5	X' ±1	SEE COMPONENTS	CKD: P.M	DATE: 27/10/09	1/4" PHONE PLUG STEREO RIGHT ANGLE CUSTOMER DWG
X.X ±0.1	X.X' ±30'	FINISH: SEE COMPONENTS	APP'D: P.M	DATE: 27/01/09	PART No: SEE P/No BREAKDOWN
X.XX ±0.05	X.X'X" ±15'	DO NOT SCALE	SCALE: 1:1	SIZE: A4	DRAWING NO. 55010636-000-2 SHEET 2/2
BREAK ALL SHARP EDGES AND REMOVE ALL BURRS		DIMENSIONS IN MILIMETRES		CAD FILE 55010636000210	