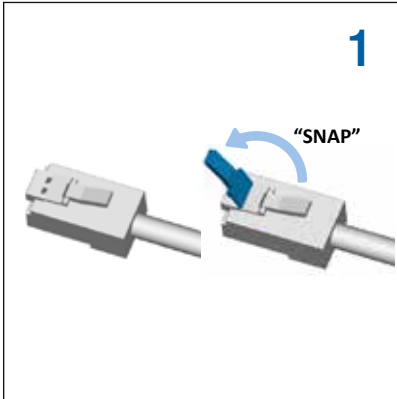
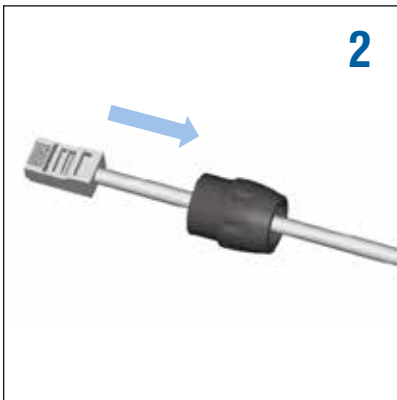


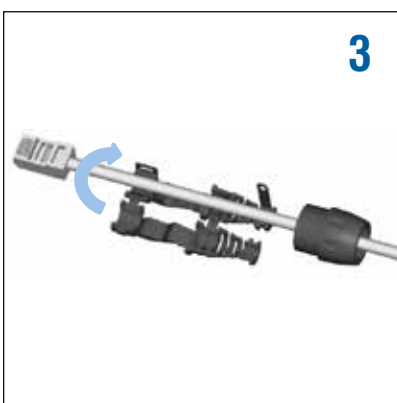
## XLRnet SERIES CABLE ASSEMBLY INSTRUCTIONS



1 Snap or cut off release tab of the RJ45 plug.  
 ⚠ Failure to remove the RJ45's Release Tab will make the XLRnet assembly permanently latching. The XLRnet series has an independent panel side latching system.



2 Slide the nut (backshell) onto the cable.



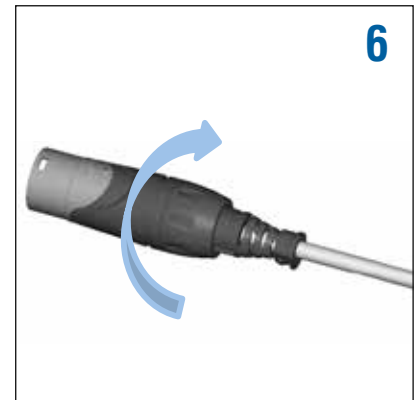
3 Install the cable clamp-boot.



4 Close clamp-boot, fasten the two tabs together to lock.



5 Push clamp-boot & cable together into the shell



6 Thread the nut (backshell) onto the shell (torque 0.8Nm-1.2Nm) to close the connector assembly.

