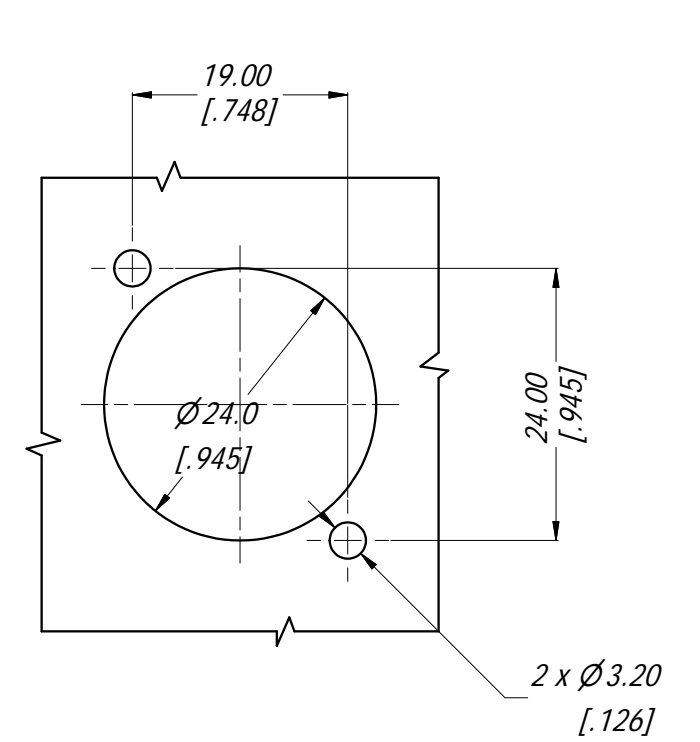
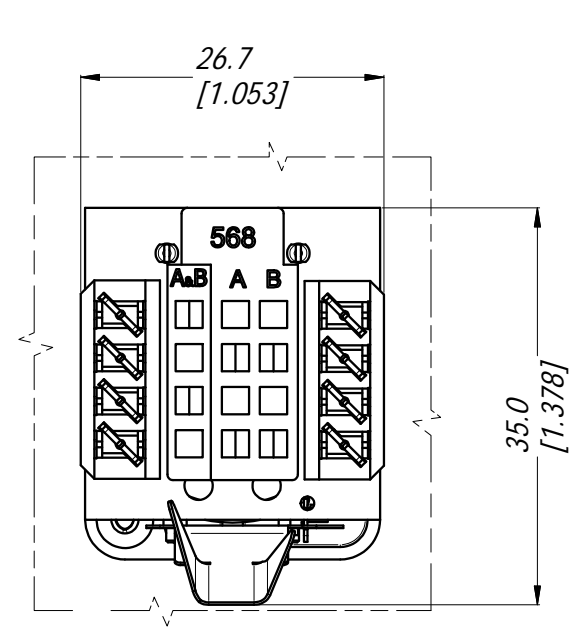
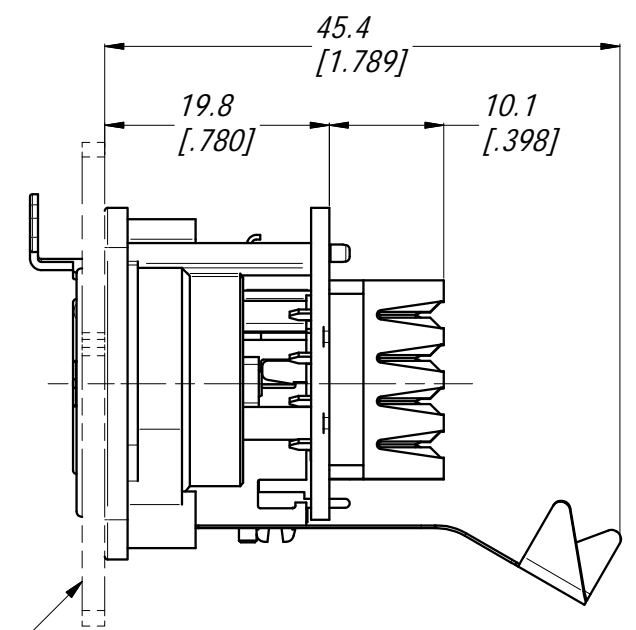
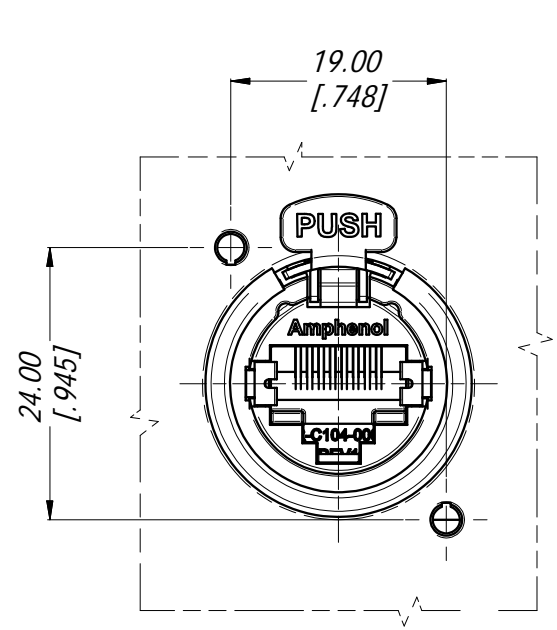
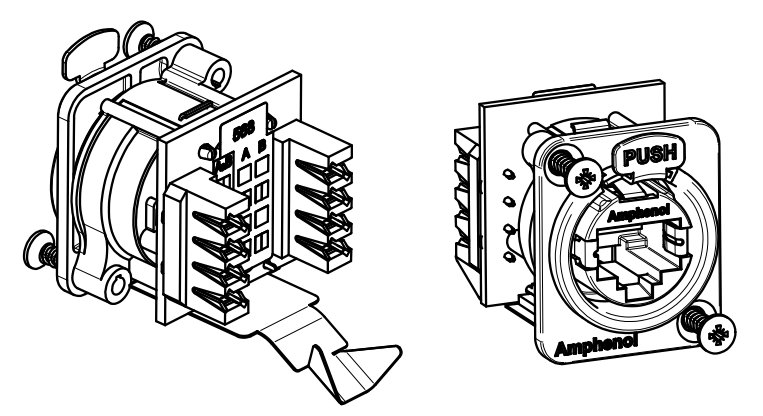
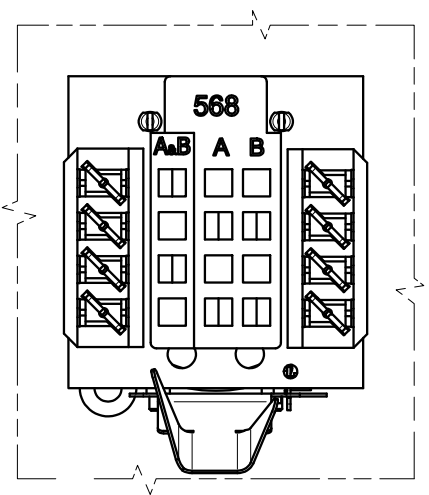
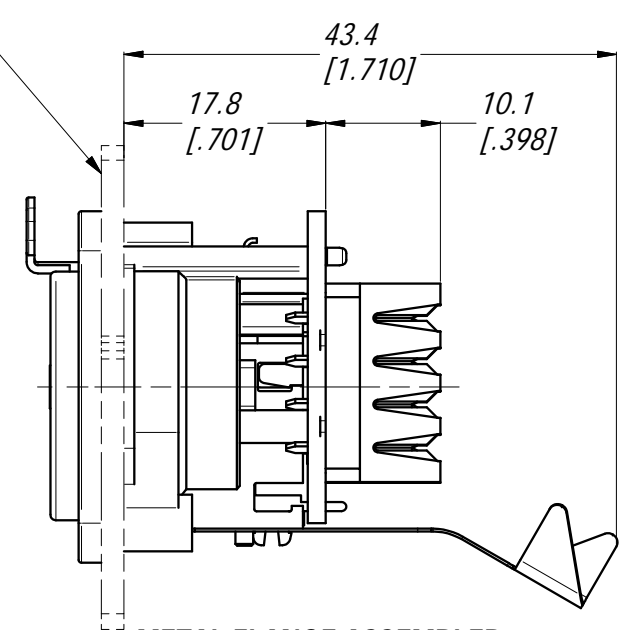
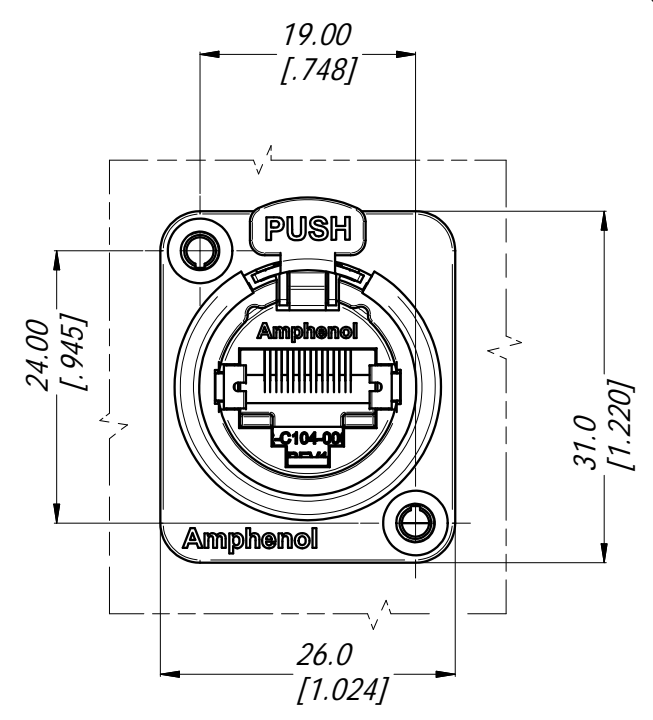


6 5 4 3 2 1

F
E
D
C
B
A



FRONT PANEL
METAL FLANGE ASSEMBLED AT PANEL REAR SIDE



3D VIEW
1:1

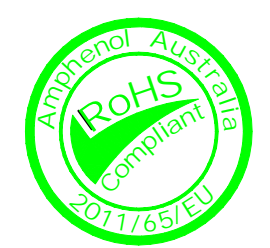
METAL FLANGE ASSEMBLED AT PANEL FRONT SIDE

- SPECIFICATIONS:**
- MATERIALS:**
 - PLASTIC INSERT & HOUSING: HIGH TEMPERATURE THERMOPLASTIC FLAMMABILITY RATING UL94V-0 DSM Stanyl, 30% BLACK
 - FRONT METAL SHELL: ZINC ALLOY ZAMAK 3, NICKEL PLATE.
 - CONTACTS: PHOSPHORE BRONZE, 1.27 um GOLD PLATE ON MATING SURFACES, 1.27 um NICKEL MIN UNDERPLATE. 3.81 um MIN MATTE TIN ON CONTACT TAILS.
 - LATCH LOCK AND SPRING: SPRING STEEL, NICKEL PLATE.
 - EMI/RFI HOOD: BRASS, TIN PLATE
 - ELECTRICAL CHARACTERISTICS:**
 - RATED VOLTAGE: 125 VAC
 - TYPICAL CONTACT RESISTANCE: 20 mOhm
 - INSULATION RESISTANCE: >500 Mohm
 - DIELECTRIC STRENGTH: 1000 VAC, 60 SECONDS
 - TRANSMISSION SPECIFICATION/CLASS: COMPLIES WITH CAT5e 1000 BASE-T PER EIA-568-C.2 AND ISO 11801
 - PoE+ COMPLIES WITH 802.3at Type 2

UNLESS OTHERWISE SPECIFIED TOLERANCE TO BE		THIS DOCUMENT IS THE PROPERTY OF AMPHENOL AUSTRALIA PTY. LTD. NO PART THEREOF MAY BE REPRODUCED AND USED WITHOUT THE PRIOR WRITTEN CONSENT OF THE OWNER.			
LINER	ANGULAR	MATERIAL:	DRN:	T.N	DATE: 06/03/14
X ± 0.5	X' ± 1	REFER SPECIFICATION	CKD:	P.M	DATE: 06/03/14
X.X ± 0.1	X.X' ± 30'		APP'D:	P.M	DATE: 06/03/14
X.X ± 0.05	X.X' ± 15'		SCALE: 3:2	SIZE: A3	
DO NOT SCALE		FINISH:	THIRD ANGLE PROJECTION		
DIMENSIONS IN MILLIMETRES					

Amphenol Amphenol Australia Pty.Ltd,
20 Industry Blvd, Carrum Downs
VIC 3201 Australia

TITLE: XLRnet D TYPE CAT5e PUNCHDOWN IDC CUSTOMER DRAWING	PART No: RJX8FD5IB	REV 1
DRAWING No. 550100963-000	SHEET 2/2	



6 5 4 3 2 1