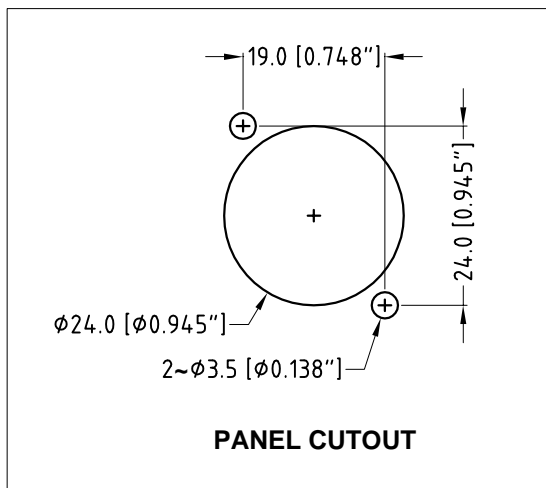
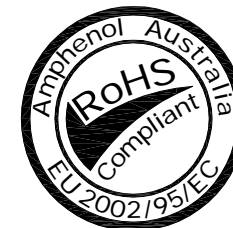
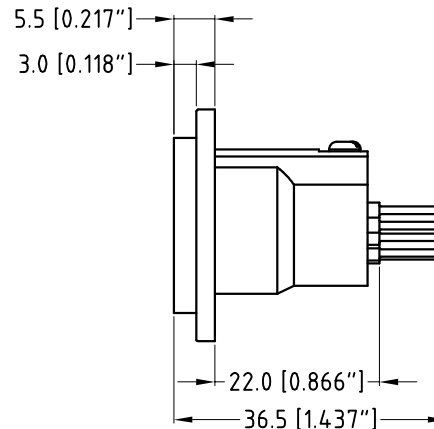
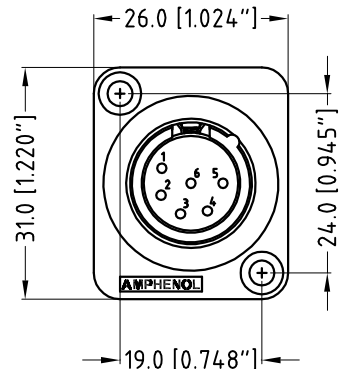
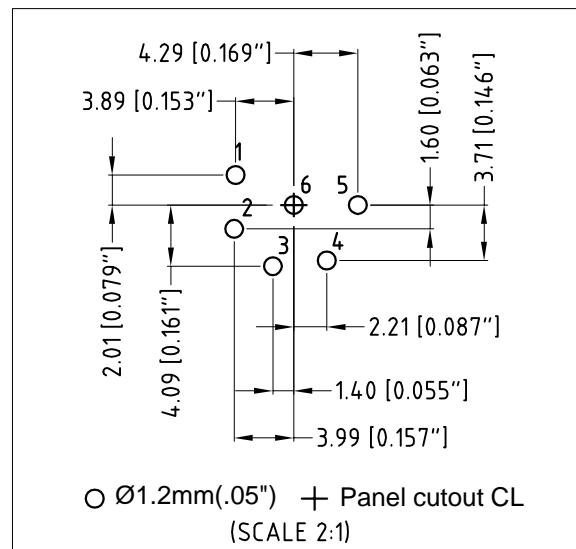


ISO VIEW



PANEL CUTOUT



CATALOGUE P/N	SHELL FINISH
AC6AMDZV	NICKEL
AC6AMDZVB	MATT BLACK

UNLESS OTHERWISE SPECIFIED TOLERANCE TO BE  
 THIS DOCUMENT IS THE PROPERTY OF AMPHENOL AUSTRALIA PTY. LTD.. NO PART THEREOF MAY BE REPRODUCED AND USED WITHOUT THE PRIOR WRITTEN CONSENT OF THE OWNER

CAD FILE: 55010338000111	DRN: L.V	DATE: 06-10-05
MATL: REFER TO COMPONENT	CKD: M.N.H	DATE: 24-10-05
FINISH: REFER TO COMPONENT	APP'D: P.M	DATE: 24-10-05
DIMENSIONS IN MILLIMETRES	SCALE: 1:1 UOS	PART No: 55010338-000

1	REMOVE GROUND CONTACT IN ISOMETRIC VIEW	L.V	24-10-05	8448
0	FIRST ISSUE	L.V	06-10-05	----
REV.	CHANGE DETAILS	BY	DATE	CHG/No

TITLE:	AC6AMDZV* PANEL MOUNT CUSTOMER DRAWING	Amphenol
DRAWING NO.	55010338-000-1	Amphenol Australia Pty Ltd, 2 Fireways Blvd, Keysborough, Vic3175
SHEET	1 OF 1	