

1

2

3

4

5

6

A

B

C

D

E

F

A

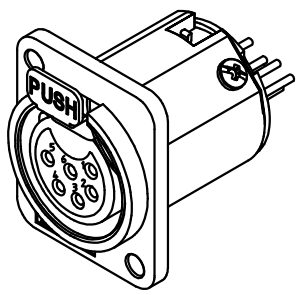
B

C

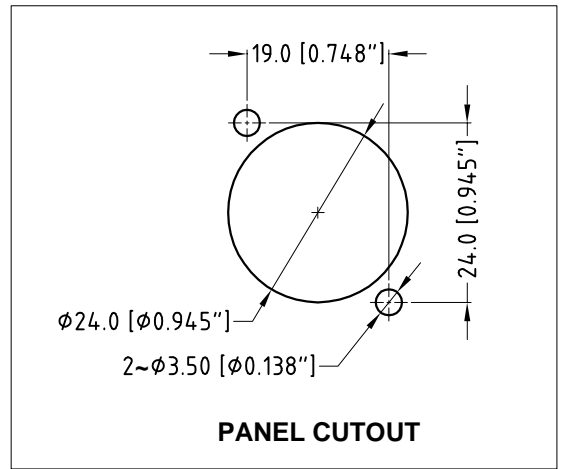
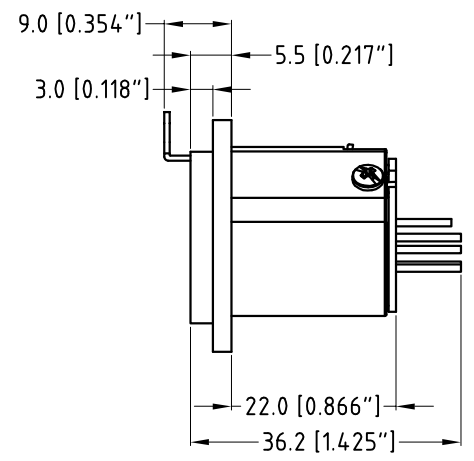
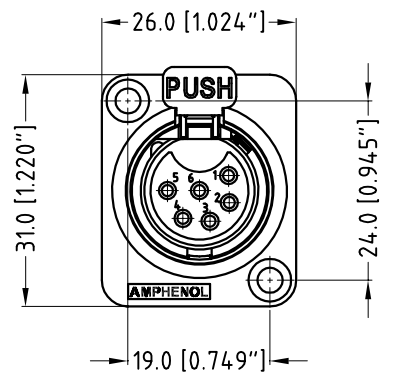
D

E

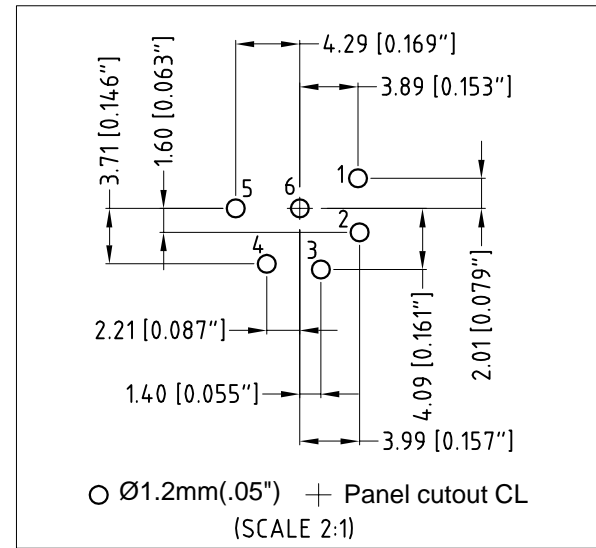
F



ISO VIEW



PANEL CUTOUT



CATALOGUE P/N	SHELL FINISH
AC6AFDZV	NICKEL
AC6AFDZVB	MATT BLACK

UNLESS OTHERWISE SPECIFIED TOLERANCE TO BE		THIS DOCUMENT IS THE PROPERTY OF AMPHENOL AUSTRALIA PTY. LTD.. NO PART THEREOF MAY BE REPRODUCED AND USED WITHOUT THE PRIOR WRITTEN CONSENT OF THE OWNER			
LINEAR	ANGULAR	CAD FILE: 55010339000111	DRN: L.V	DATE: 06-10-05	TITLE:
X ± 0.5	X° ± 1°	MATL: REFER TO COMPONENT	CKD: M.N.H	DATE: 24-10-05	AC6AFDZV* PANEL MOUNT CUSTOMER DWG
X.X ± 0.1	X°X' ± 30'	FINISH: REFER TO COMPONENT	APP'D: P.M	DATE: 24-10-05	
X.XX ± 0.05	X°X'X" ± 15"	DIMENSIONS IN MILLIMETRES		SCALE: 1:1 UOS	THIRD ANGLE PROJECTION

1	REMOVE GROUND CONTACT IN ISOMETRIC VIEW	L.V	24-10-05	8448
0	FIRST ISSUE	L.V	06-10-05	----
REV.	CHANGE DETAILS	BY	DATE	CHG/No
PART No: REFER TO CHART		SIZE: A4	55010339-000-1	

**Amphenol**  
Amphenol Australia Pty Ltd, 2 Fireways Blvd, Keysborough, Vic 3173  
DRAWING NO. SHEET  
1 OF 1

1

2

3

4

5

6