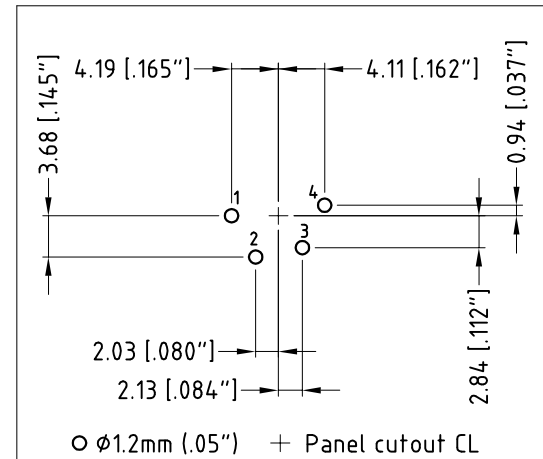


ISO VIEW

CATALOGUE P/N	SHELL FINISH
AC4MDZV	NICKEL
AC4MDZVB	MATT BLACK



UNLESS OTHERWISE SPECIFIED TOLERANCE TO BE		THIS DOCUMENT IS THE PROPERTY OF AMPHENOL AUSTRALIA PTY. LTD.. NO PART THEREOF MAY BE REPRODUCED AND USED WITHOUT THE PRIOR WRITTEN CONSENT OF THE OWNER			0	FIRST ISSUE	L.V	04-04-06	----
LINEAR	ANGULAR	CAD FILE: 55010347000110			DRN: L.V	DATE: 04-04-06	TITLE: AC4MDZV* PANEL MOUNT CUSTOMER DWG		
X ± 0.5	X° ± 1°	MATERIAL: REFER TO COMPONENT			CKD: M.N.H	DATE: 01-05-06	Amphenol		
X,X ± 0.1	X°X° ± 30°	FINISH: REFER TO COMPONENT			APP'D: P.M	DATE: 01-05-06	Amphenol Australia Pty Ltd, 2 Fireways Blvd, Keysborough, Vic3173		
X,Xx ± 0.05	X°X°X° ± 15°	DO NOT SCALE			DIMENSIONS IN MILLIMETRES	SCALE: 1.5:1 UOS	PART No: REFER TO CHART	SIZE: A4	55010347-000-1
					THIRD ANGLE PROJECTION	DRAWING NO.		SHEET	1 OF 1