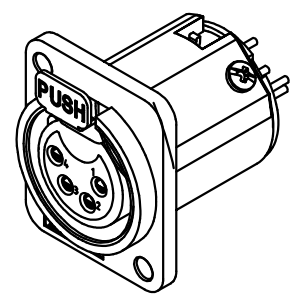
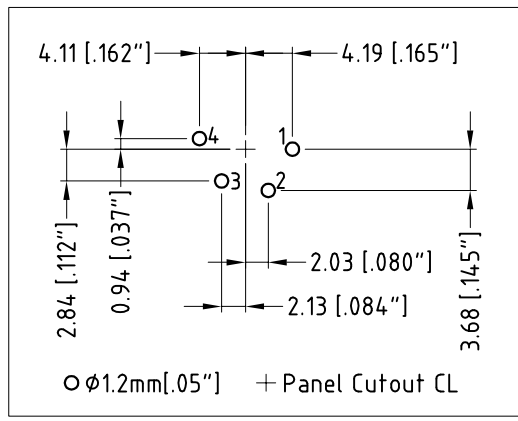


**PANEL CUTOUT**



**ISO VIEW**

CATALOGUE P/N	SHELL FINISH
AC4FDZV	NICKEL
AC4FDZVB	MATT BLACK



UNLESS OTHERWISE SPECIFIED TOLERANCE TO BE		THIS DOCUMENT IS THE PROPERTY OF AMPHENOL AUSTRALIA PTY. LTD.. NO PART THEREOF MAY BE REPRODUCED AND USED WITHOUT THE PRIOR WRITTEN CONSENT OF THE OWNER			0	FIRST ISSUE	L.V	04-04-06	----
LINEAR	ANGULAR	CAD FILE: 55010362000110			DRN: L.V	DATE: 04-04-06	TITLE: AC4FDZV* PANEL MOUNT CUSTOMER DWG		
X ± 0.5	X° ± 1°	MATERIAL: REFER TO COMPONENT			CKD: M.N.H	DATE: 01-05-06	Amphenol Australia Pty Ltd, 2 Fireways Blvd, Keysborough, Vic 3173		
X.X ± 0.1	X°X' ± 30'	FINISH: REFER TO COMPONENT			APP'D: P.M	DATE: 01-05-06	DRAWING NO. 55010362-000-1		
X.XX ± 0.05	X°X'X" ± 15'	DIMENSIONS IN MILLIMETRES			THIRD ANGLE PROJECTION	SCALE: 1.5:1 UOS	PART No: REFER TO CHART	SIZE: A4	SHEET 1 OF 1