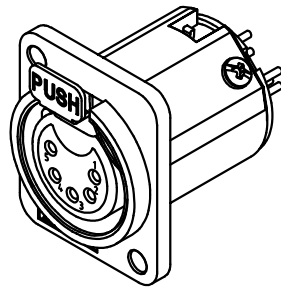
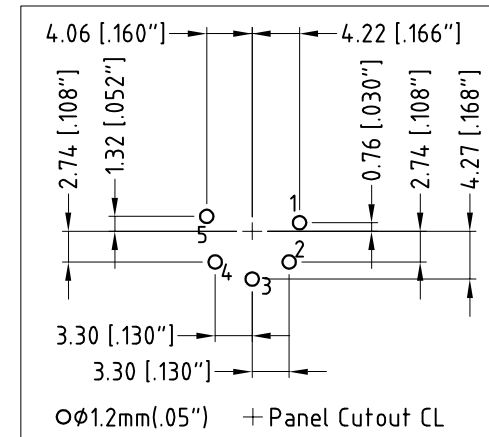


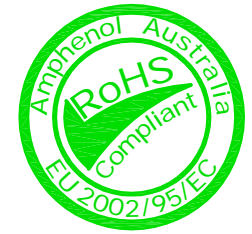
PANEL CUTOUT



ISO VIEW



CATALOGUE P/N	SHELL FINISH
AC5FDZV	NICKEL
AC5FDZVB	MATT BLACK



UNLESS OTHERWISE SPECIFIED TOLERANCE TO BE		THIS DOCUMENT IS THE PROPERTY OF AMPHENOL AUSTRALIA PTY. LTD.. NO PART THEREOF MAY BE REPRODUCED AND USED WITHOUT THE PRIOR WRITTEN CONSENT OF THE OWNER			0	FIRST ISSUE	L.V	04-04-06	----
LINEAR	ANGULAR	CAD FILE: 55010363000110			DRN: L.V	DATE: 04-04-06	TITLE: AC5FDZV* PANEL MOUNT CUSTOMER DWG		
X ± 0.5	X° ± 1°	MATERIAL: REFER TO COMPONENT			CKD: M.N.H	DATE: 01-05-06	Amphenol		
X.X ± 0.1	X°X' ± 30'	FINISH: REFER TO COMPONENT			APP'D: P.M	DATE: 01-05-06	Amphenol Australia Pty Ltd, 2 Fireways Blvd, Keysborough, Vic 3173		
X.XX ± 0.05	X°X'X" ± 15"	DIMENSIONS IN MILLIMETRES			SCALE: 1.5:1 UOS	PART No: REFER TO CHART	SIZE: A4	DRAWING NO. 55010363-000-1	
DO NOT SCALE		THIRD ANGLE PROJECTION		SHEET 1 OF 1					