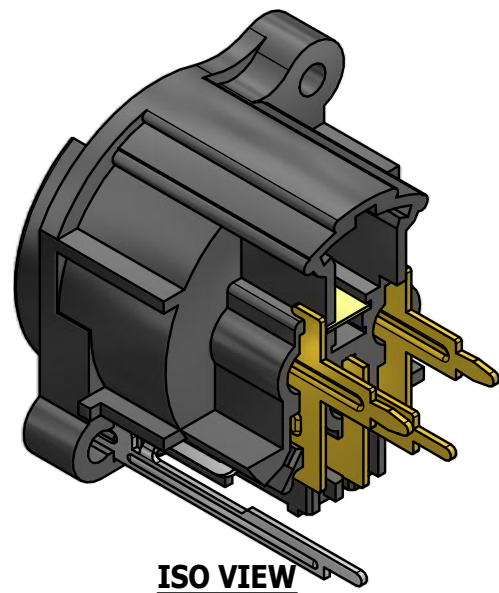
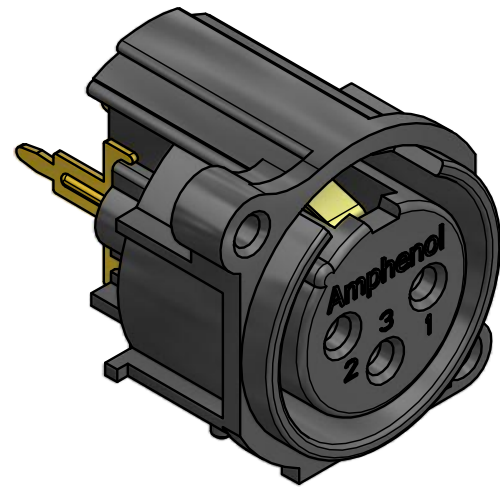
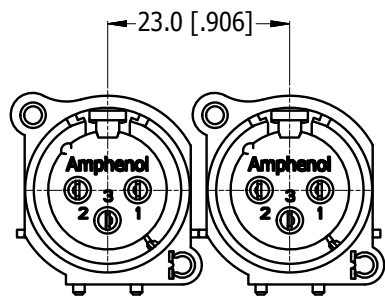


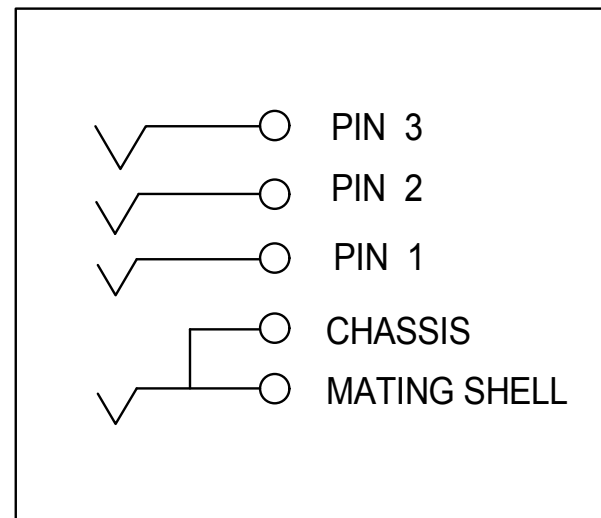
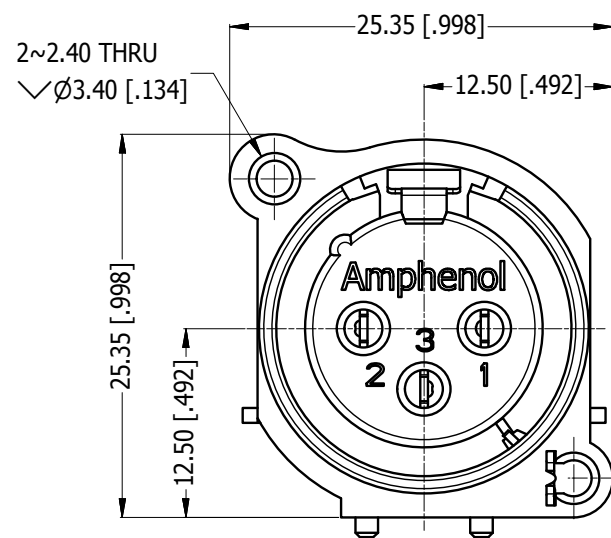
LEGEND  $\diamond$  = KEY PRODUCT CHARACTERISTICS



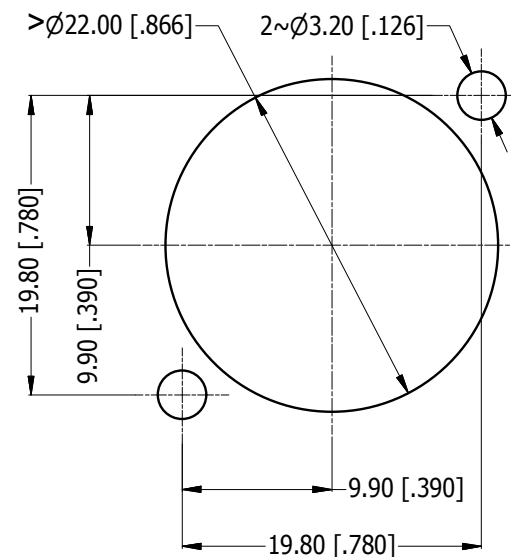
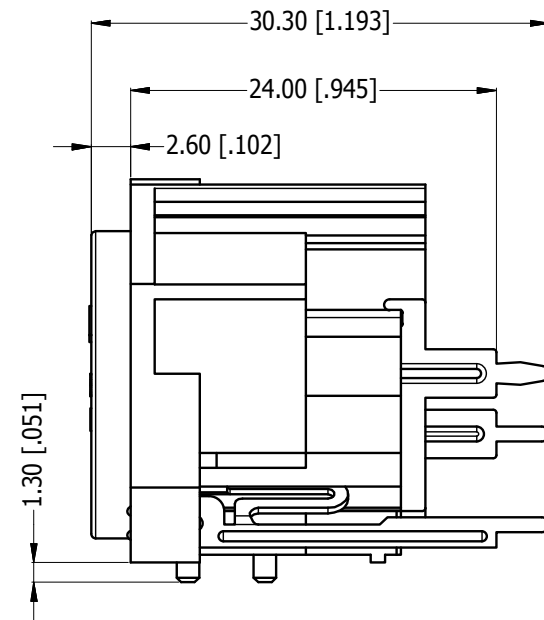
ISO VIEW



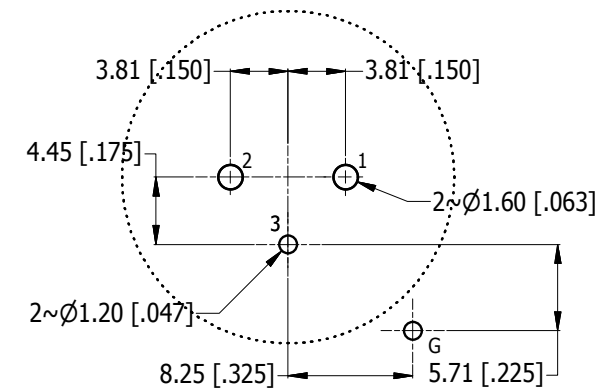
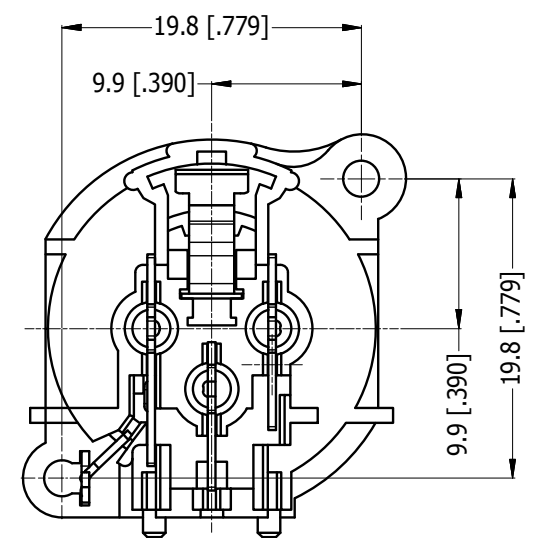
MIN MOUNTING PITCH  
SCALE 1:1



SCHEMATIC CHART



PANEL CUT OUT  
REAR VIEW



PCB-LAYOUT  
COMPONENT SIDE  
TOLERANCE:  $\pm 0.05\text{mm} [0.002"]$

REVISION HISTORY				
REV	DESCRIPTION	DATE	BY	CHG/No
0	FIRST ISSUE	08/10/2014	MH	---

UNLESS OTHERWISE SPECIFIED TOLERANCE TO BE		THIS DOCUMENT IS THE PROPERTY OF AMPHENOL AUSTRALIA PTY. LTD. NO PART THEREOF MAY BE REPRODUCED AND USED WITHOUT THE PRIOR WRITTEN CONSENT OF THE OWNER			Amphenol Australia Pty.Ltd. 22 Industry Blvd, Carrum Downs, VIC 3201	
LINEAR	ANGULAR	MATERIAL:	DRN: MH	DATE: 08/10/2014	TITLE:	PART No:
X ±0.5	X' ±1	REFER TO COMPONENT	CKD: M.H	DATE: 08/10/2014	AC3FAVL2-AU-PRE VERTICAL FEMALE CUSTOMER DRAWING	AC3FAVL2-AU-PRE
X.X ±0.2	X.X' ±30'	BREAK ALL SHARP EDGES AND REMOVE ALL BURRS	APP'D: P.M	DATE: 08/10/2014	DRAWING NO.	SHEET
X.XX ±0.1	X.XX' ±15'	DO NOT SCALE	SCALE: 2:1	SIZE: A3	55011052000220	55011052-000-2 2/2
DIMENSIONS IN MILLIMETRES		THIRD ANGLE PROJECTION				