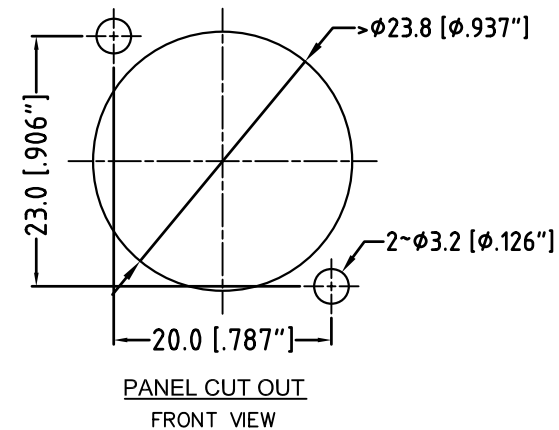
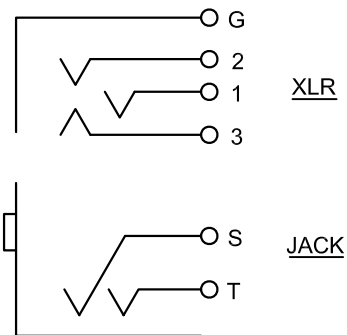


MIN MOUNTING PITCH
ACTUAL SIZE

CONTACTS SCHEMATIC CHART



UNLESS OTHERWISE SPECIFIED TOLERANCE TO BE		THIS DOCUMENT IS THE PROPERTY OF AMPHENOL AUSTRALIA PTY. LTD. NO PART THEREOF MAY BE REPRODUCED AND USED WITHOUT THE PRIOR WRITTEN CONSENT OF THE OWNER				1	Correct Minimum Mounting Pitch dimension from 14mm to 27mm	M.H	19-03-09	8811
LINEAR	ANGULAR	CAD FILE: 55010423000110 DRN: M.H DATE: 05-10-07				REV.	FIRST ISSUE	M.H	05-10-07	----
X ± 0.5 X.X ± 0.1 X.XX ± 0.05	X° ± 1° X°X' ± 30' X°X'X" ± 15'					CHANGE DETAILS	BY	DATE	CHG/No	
BREAK ALL SHARP EDGES AND REMOVE ALL BURRS		MATL: REFER TO COMPONENT	CKD: P.M	DATE: 19-03-09	TITLE: ACJC5SL C-TYPE CUSTOMER DRAWING		 Amphenol Australia Pty.Ltd, 2 Fireways Blvd, Keysborough, Vic3173 DRAWING NO. 55010423-000-1 SHEET 2 OF 2			
DO NOT SCALE		FINISH: REFER TO COMPONENT	APP'D: P.M	DATE: 19-03-09	SCALE: 2:1 UDS					
DIMENSIONS IN MILLIMETRES		THIRD ANGLE PROJECTION		SCALE: 2:1 UDS		PART No: ACJC5SL		SIZE: A3		55010423-000-1