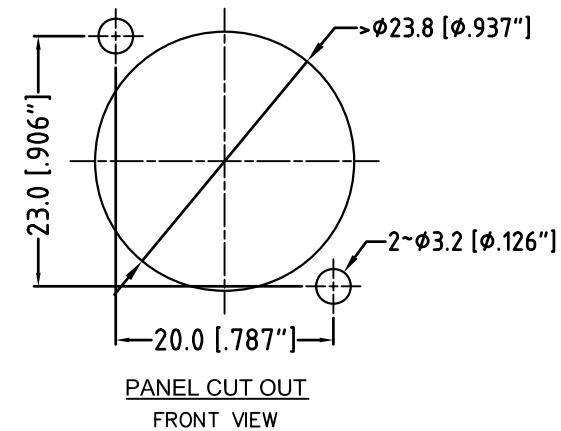
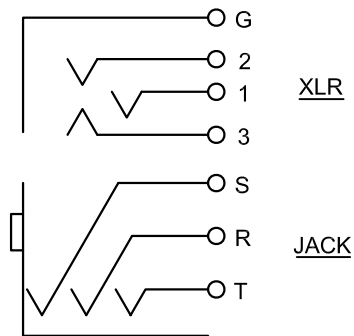


MIN MOUNTING PITCH
ACTUAL SIZE

CONTACTS SCHEMATIC CHART



UNLESS OTHERWISE SPECIFIED TOLERANCE TO BE		THIS DOCUMENT IS THE PROPERTY OF AMPHENOL AUSTRALIA PTY. LTD. NO PART THEREOF MAY BE REPRODUCED AND USED WITHOUT THE PRIOR WRITTEN CONSENT OF THE OWNER				1	Correct Minimum Mounting Pitch dimension from 14mm to 27mm	M.H	19-03-09	8811	
LINEAR		ANGULAR		CAD FILE: 55010429000110		DRN:	M.H	DATE:	05-10-07	TITLE:	
X ± 0.5	X° ± 1°			MATERIAL: REFER TO COMPONENT		CKD:	P.M	DATE:	19-03-09	ACJC6SL C-TYPE CUSTOMER DRAWING	
X.X ± 0.1	X*X° ± 30'			DO NOT SCALE		FINISH:	REFER TO COMPONENT	APP'D:	P.M		DATE:
X.XX ± 0.05	X*X*X° ± 15'			DIMENSIONS IN MILLIMETRES		SCALE:	2:1 UDS	PART No:	ACJC6SL	SIZE:	A3
BREAK ALL SHARP EDGES AND REMOVE ALL BURRS		THIRD ANGLE PROJECTION		SCALE: 2:1 UDS		PART No: ACJC6SL		SIZE: A3		55010429-000-1	
										Amphenol Amphenol Australia Pty.Ltd, 2 Fireways Blvd, Keysborough, Vic3173	
										DRAWING NO. SHEET 2 OF 2	