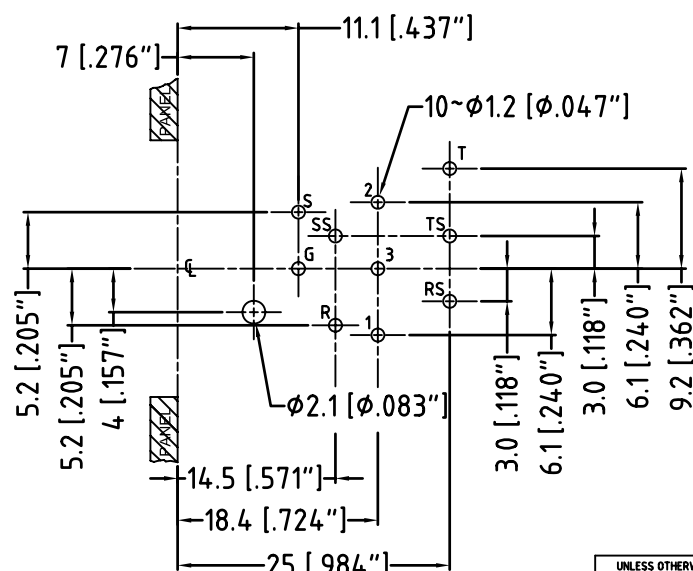
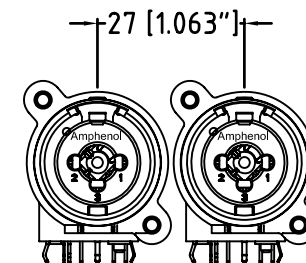
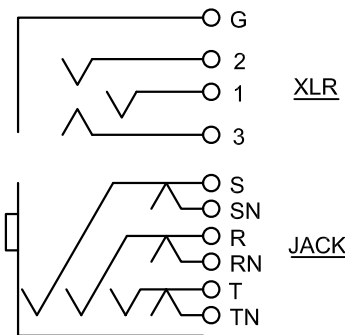


PANEL CUT OUT
FRONT VIEW



PCB LAYOUT
(component side)
TOLERANCE: ±0.05mm [0.002"]

CONTACTS SCHEMATIC CHART



MIN MOUNTING PITCH
ACTUAL SIZE

UNLESS OTHERWISE SPECIFIED TOLERANCE TO BE		THIS DOCUMENT IS THE PROPERTY OF AMPHENOL AUSTRALIA PTY. LTD. NO PART THEREOF MAY BE REPRODUCED AND USED WITHOUT THE PRIOR WRITTEN CONSENT OF THE OWNER				1	Correct Minimum Mounting Pitch dimension from 14mm to 27mm	M.H	19-03-09	8811
LINEAR	ANGULAR	CAD FILE: 55010433000111				REV.	FIRST ISSUE	M.H	02-10-07	----
X ± 0.5	X° ± 1°	DRN: M.H				CHANGE DETAILS		BY	DATE	CHG/No
XX ± 0.1	X°X' ± 30'	DATE: 02-10-07				TITLE:		Amphenol		
XX ± 0.05	X°X'X" ± 15"	DATE: 19-03-09				ACJC9HL		Amphenol Australia Pty.Ltd, 2 Fireways Blvd, Keysborough, Vic3173		
BREAK ALL SHARP EDGES AND REMOVE ALL BURRS		MATERIAL: REFER TO COMPONENT				C-TYPE		DRAWING NO.		
DO NOT SCALE		FINISH: REFER TO COMPONENT				CUSTOMER DRAWING		SHEET		
DIMENSIONS IN MILLIMETRES		SCALE: 2:1 UDS				PART No: ACJC9HL		SIZE: A3		55010433-000-1
		THIRD ANGLE PROJECTION								1 OF 1