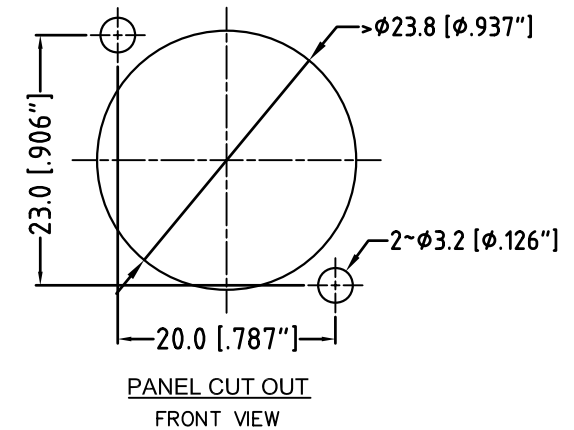
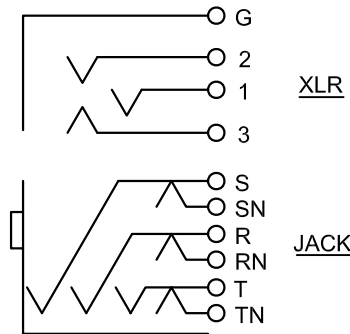


MIN MOUNTING PITCH  
ACTUAL SIZE

CONTACTS SCHEMATIC CHART



UNLESS OTHERWISE SPECIFIED TOLERANCE TO BE		THIS DOCUMENT IS THE PROPERTY OF AMPHENOL AUSTRALIA PTY. LTD. NO PART THEREOF MAY BE REPRODUCED AND USED WITHOUT THE PRIOR WRITTEN CONSENT OF THE OWNER				1	Correct Minimum Mounting Pitch dimension from 14mm to 27mm	M.H	19-03-09	8811
LINEAR	ANGULAR	CAD FILE: 55010434000111 DRN: M.H DATE: 05-10-07				REV.	FIRST ISSUE	M.H	05-10-07	----
X ± 0.5	X° ± 1°					2	CHANGE DETAILS	BY	DATE	CHG/No
X.X ± 0.1	X*X° ± 30'					TITLE: ACJC9S C-TYPE CUSTOMER DRAWING				
X.XX ± 0.05	X*X°X° ± 15'	MATERIAL: REFER TO COMPONENT				DRAWING NO. 55010434-000-1		SHEET 2 OF 2		
DO NOT SCALE		FINISH: REFER TO COMPONENT				SCALE: 2:1 UDS		PART No: ACJC9S SIZE: A3		
DIMENSIONS IN MILLIMETRES		THIRD ANGLE PROJECTION								

