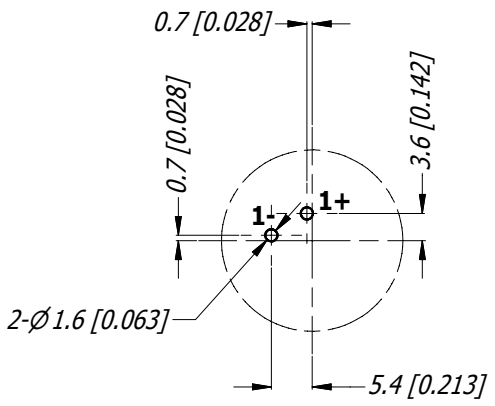
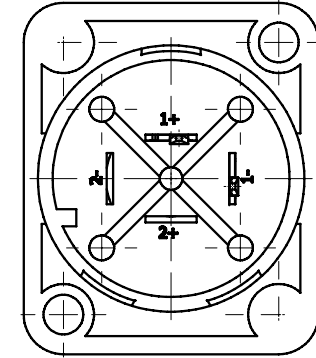
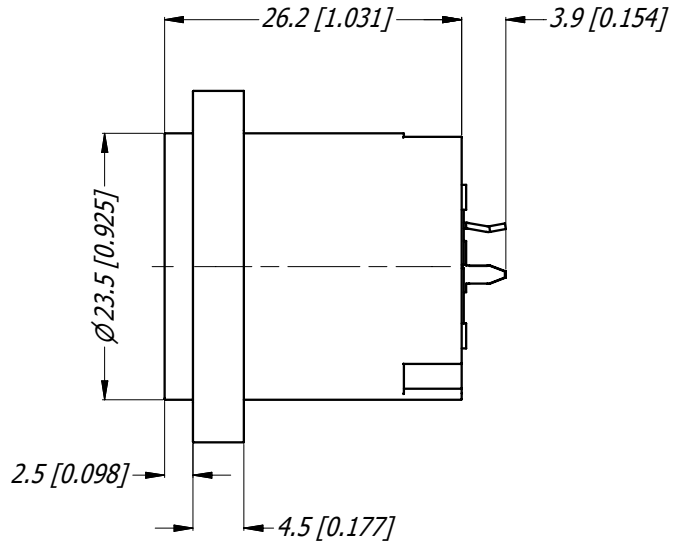
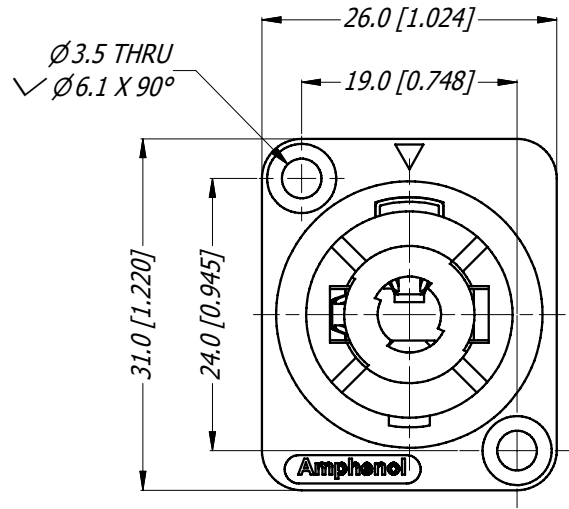
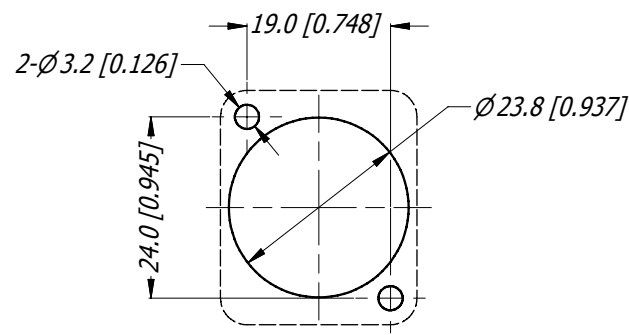


LEGEND  = KEY PRODUCT CHARACTERISTICS

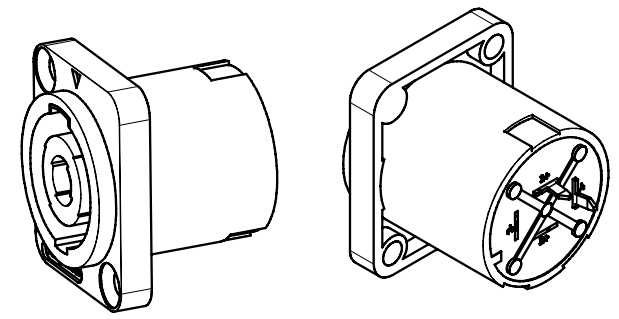
REVISION HISTORY				
REV	DESCRIPTION	BY	DATE	ECN
0	FIRST ISSUE	HH	14/02/2011	8990



**PCB LAYOUT (1:1)
FRONT VIEW**



PANEL CUTOUT (1:1)



3D VIEW

UNLESS OTHERWISE SPECIFIED TOLERANCE TO BE		THIS DOCUMENT IS THE PROPERTY OF AMPHENOL AUSTRALIA PTY. LTD. NO PART THEREOF MAY BE REPRODUCED AND USED WITHOUT THE PRIOR WRITTEN CONSENT OF THE OWNER				Amphenol Amphenol Australia Pty.Ltd, 2 Fiveways Blvd, Keysborough, VIC 3173	
LINER	ANGULAR	MATERIAL: REFER TO COMPONENTS	DRN: HH	DATE: 10/02/11	TITLE: SP SERIES CONNECTOR LOUDSPEAKER 2 POLE, VERTICAL PCB		PART No. SP-2-MDV
X ± 0.5	X° ± 1	FINISH:	CKD: TN	DATE: 14/02/11	DRAWING No.		SHEET
X.X ± 0.1	X.X° ± 30°	DO NOT SCALE	APP'D: PM	DATE: 14/02/11	55010737-000-2		2/2
X.XX ± 0.05	X.XX° ± 15°	DIMENSIONS IN MILLIMETRES	SCALE: 3:2	SIZE: A4	CAD FILE: 55010737000210		
BREAK ALL SHARP EDGES AND REMOVE ALL BURRS		THIRD ANGLE PROJECTION					