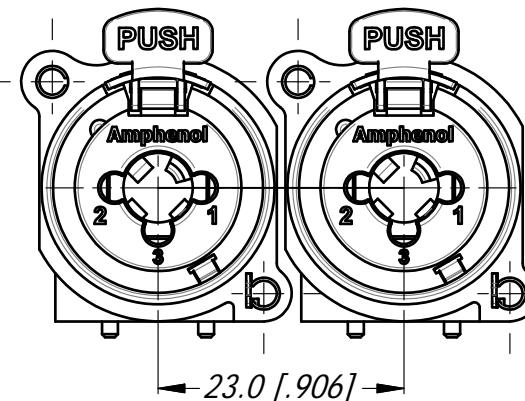
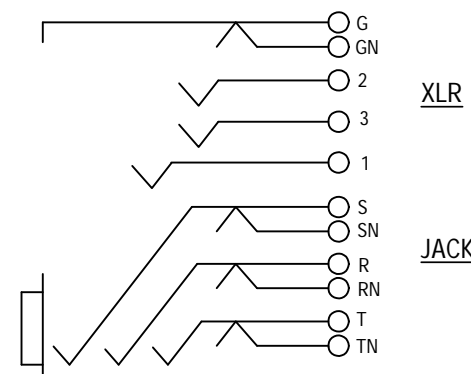


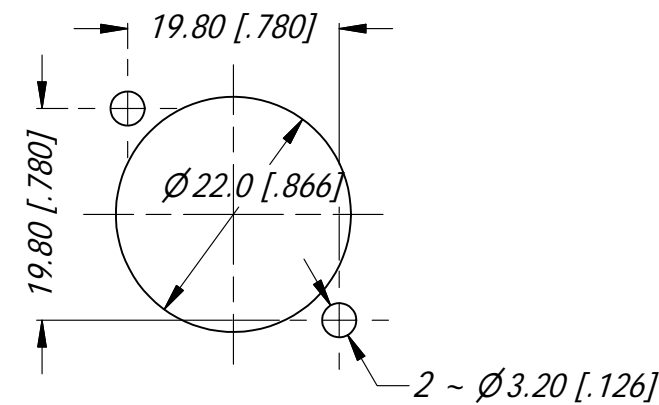
PCB LAYOUT  
SCALE 3:2



MIN MOUNTING PITCH



CONTACT SCHEMATIC DIAGRAM



PANEL CUT OUT

UNLESS OTHERWISE SPECIFIED TOLERANCE TO BE	
LINEAR	ANGULAR
X ± 0.5	X' ± 1
X.X ± 0.1	X.X' ± 30'
X.XX ± 0.05	X.X'X' ± 15'
BREAK ALL SHARP EDGES AND REMOVE ALL BURRS	
DO NOT SCALE	
DIMENSIONS IN MILLIMETRES	

THIS DOCUMENT IS THE PROPERTY OF AMPHENOL AUSTRALIA PTY. LTD.  
NO PART THEREOF MAY BE REPRODUCED AND USED WITHOUT THE PRIOR WRITTEN CONSENT OF THE OWNER.

MATERIAL: <b>SEE COMPONENTS</b>	DRN: T.N	DATE: 09/07/14
FINISH:	CKD: P.M	DATE: 09/07/14
	APP'D: P.M	DATE: 09/07/14
	SCALE: <b>3:2</b>	SIZE: <b>A4</b>

<b>Amphenol</b> Amphenol Australia Pty.Ltd, 22 Industry Blvd, Carrum Downs, VIC 3173	
TITLE: <b>C TYPE LOW PROFILE 10 CONTACTS VERT CUSTOMER DWG</b>	PART No: <b>ACJC10AV2</b>
	REV <b>2</b>
DRAWING No. <b>55011016-000</b>	SHEET <b>2 /16</b>