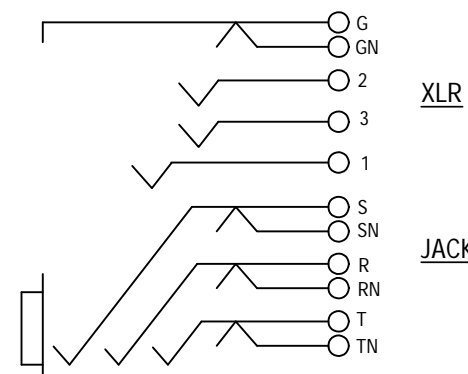
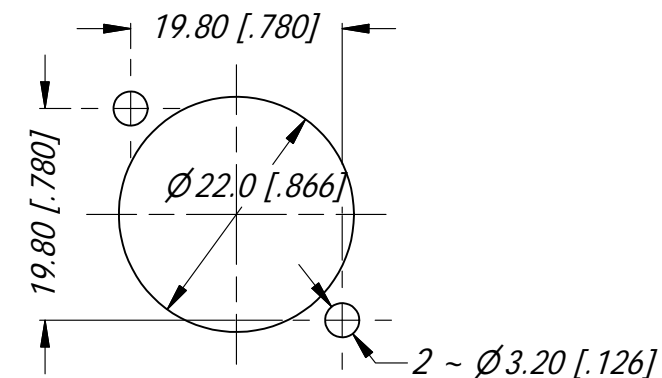


MIN MOUNTING PITCH



CONTACT SCHEMATIC DIAGRAM



PANEL CUT OUT

PCB LAYOUT  
SCALE 3:2

UNLESS OTHERWISE SPECIFIED TOLERANCE TO BE	
LINEAR	ANGULAR
X ± 0.5	X' ± 1
X.X ± 0.1	X.X' ± 30'
X.XX ± 0.05	X.X'X' ± 15'
BREAK ALL SHARP EDGES AND REMOVE ALL BURRS	
DO NOT SCALE	
DIMENSIONS IN MILLIMETRES	

THIS DOCUMENT IS THE PROPERTY OF AMPHENOL AUSTRALIA PTY. LTD. NO PART THEREOF MAY BE REPRODUCED AND USED WITHOUT THE PRIOR WRITTEN CONSENT OF THE OWNER.

MATERIAL: <b>SEE COMPONENTS</b>	DRN: T.N	DATE: 09/07/14
FINISH:	CKD: P.M	DATE: 09/07/14
	APP'D: P.M	DATE: 09/07/14
	SCALE: <b>3:2</b>	SIZE: <b>A4</b>

**Amphenol**

Amphenol Australia Pty.Ltd,  
22 Industry Blvd, Carrum Downs, VIC 3173

TITLE:  
**C TYPE LOW PROFILE  
10 CTS NON LATCH  
VERT- CUSTOMER DWG**

PART No: <b>ACJC10AV2L</b>	REV <b>2</b>
DRAWING No. <b>55011016-000</b>	SHEET <b>10/16</b>